

Inhoudsopgave

Aandrijving op Maaier	45
Achteras & Wielen	54
Differentieel Slot	19
Drijfwerk & Wielassen	16
Frame	12
Frame op Maaier	43
Grasvang Bak	38
Grasvang Bak kiep Inrichting	50
Handels & Stangen	25
Kappen Zitting & Stuur	4
Kappen & Motor	34
Maaier	40
Maaier Lift Handel	14
Maaier met Tanwiel kasten	58
Messen & Aandrijving op Maaier	60
Motor & Filter en Tank	28
Mulch Dek	47
Stuur Mechaniek & Stuurwiel	10
V-Snaar Aandrijving & PTO	21
Wielen & Banden	56



Gianni Ferrari

TOP GREEN



CATALOGO PARTI DI RICAMBIO

CATALOGUE PIECES DETACHEES

SPARE PARTS CATALOGUE

TERSATZTEILKATALOG



COMPOSIZIONE CODICE D'ORDINE

NUMERO DI MATRICOLA ALFANUMERICO DEL TELAIO + CODICE PARTICOLARE DI RICAMBIO

COMPOSITION OF THE ORDER CODE

ALPHANUMERICAL SERIAL NUMBER OF THE FRAME CODE NUMBER OF THE SPARE PART

COMPOSITION DU CODE DE L'ORDRE

NUMÉRO DE SÉRIE ALPHANUMÉRIQUE DU CHÂSSIS + CODE AU PIECE DE RECHANGE

AUFBAU DES BESTELLKODE

ALPHANUMERISCHE SERIENNUMMER DES GERÜSTES HINWEIS AUF DAS CODE

MATRICOLA CATALOGO

NUMERO DI MATRICOLA ALFANUMERICO DEL TELAIO

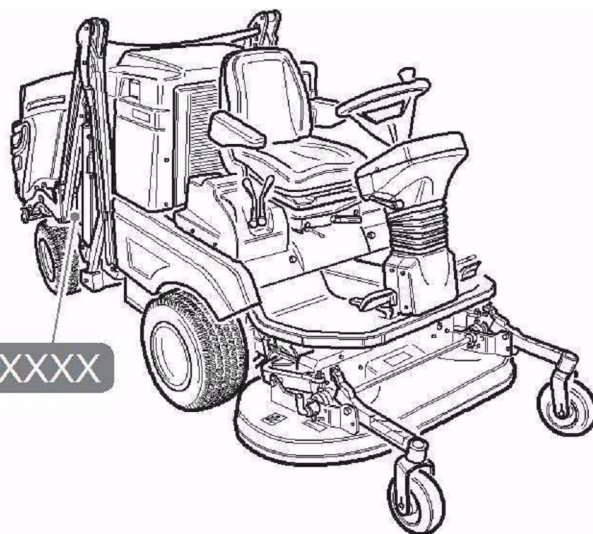
ALPHANUMERICAL SERIAL NUMBER OF THE FRAME

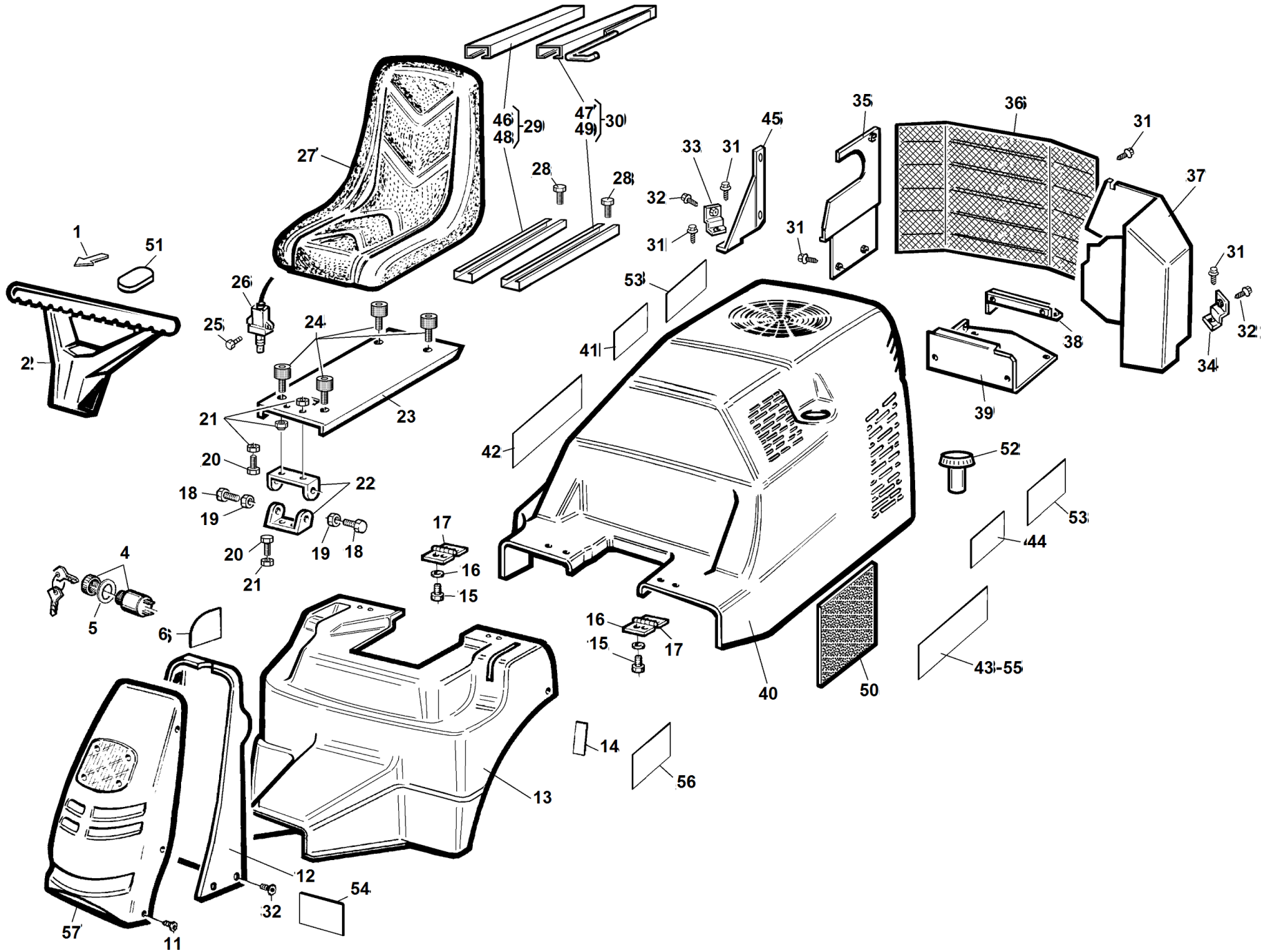
NUMÉRO DE SÉRIE ALPHANUMÉRIQUE DU CHÂSSIS

ALPHANUMERISCHE SERIENNUMMER DES GERÜSTES

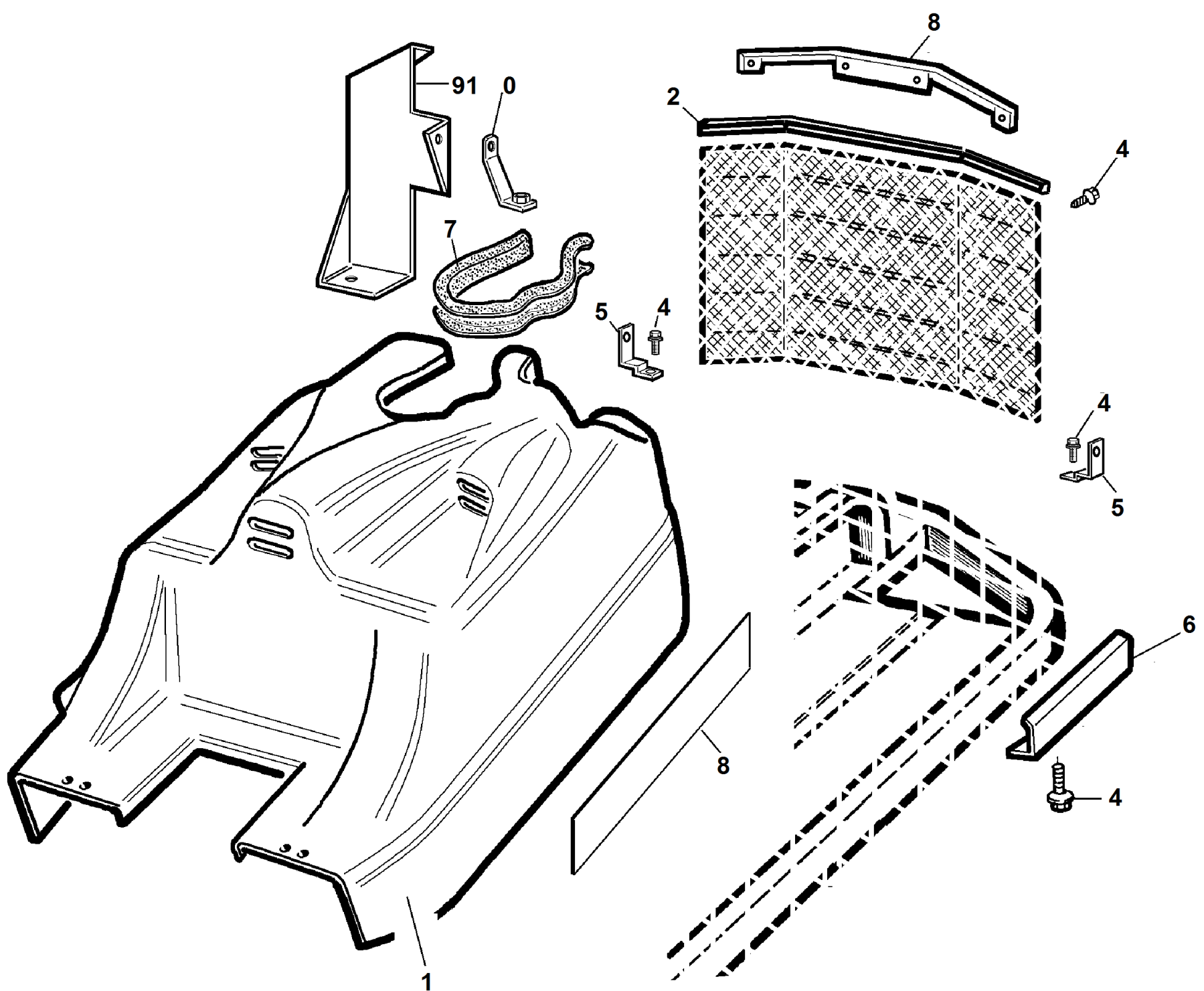
999999XXXX

999999XXXX

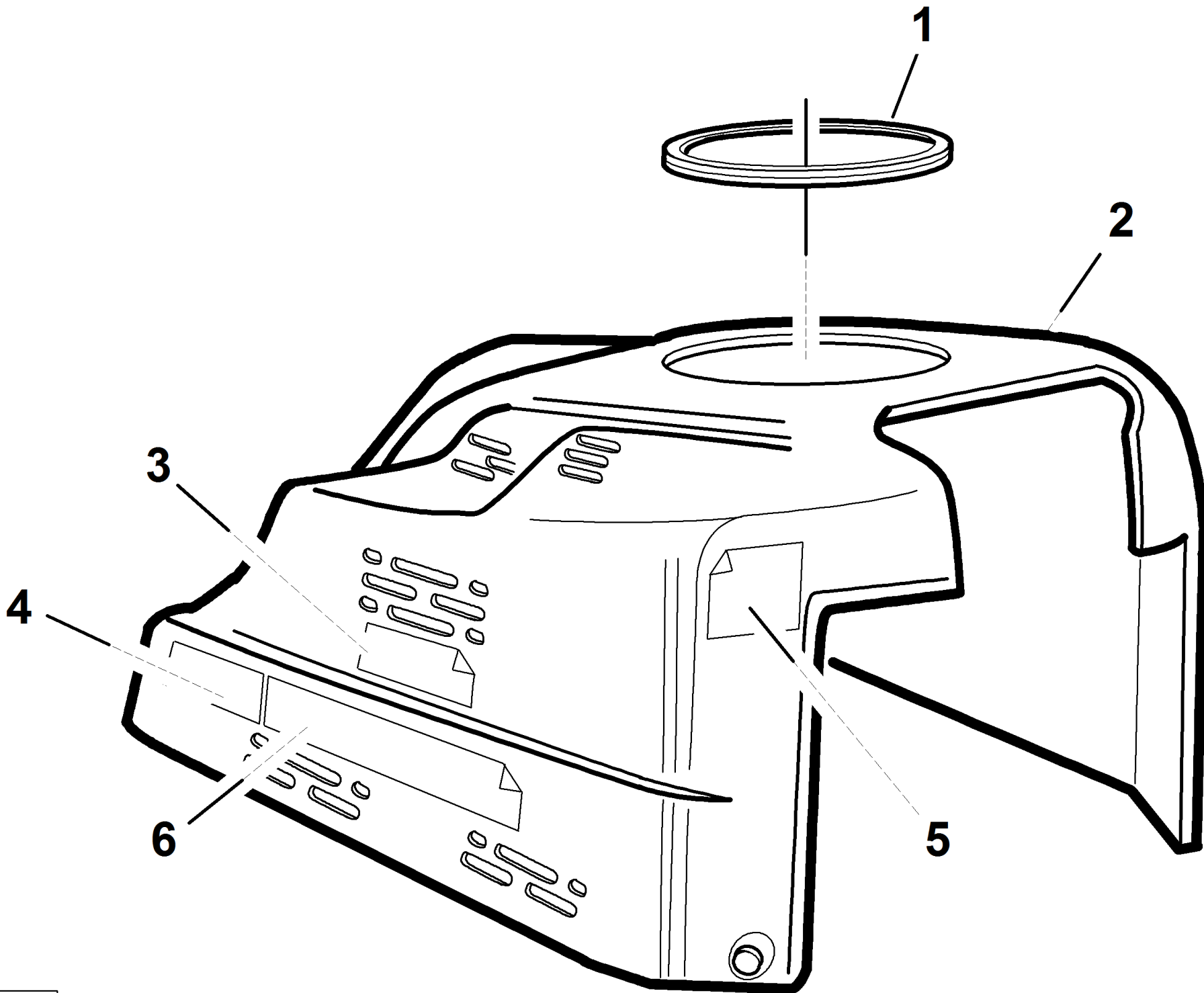




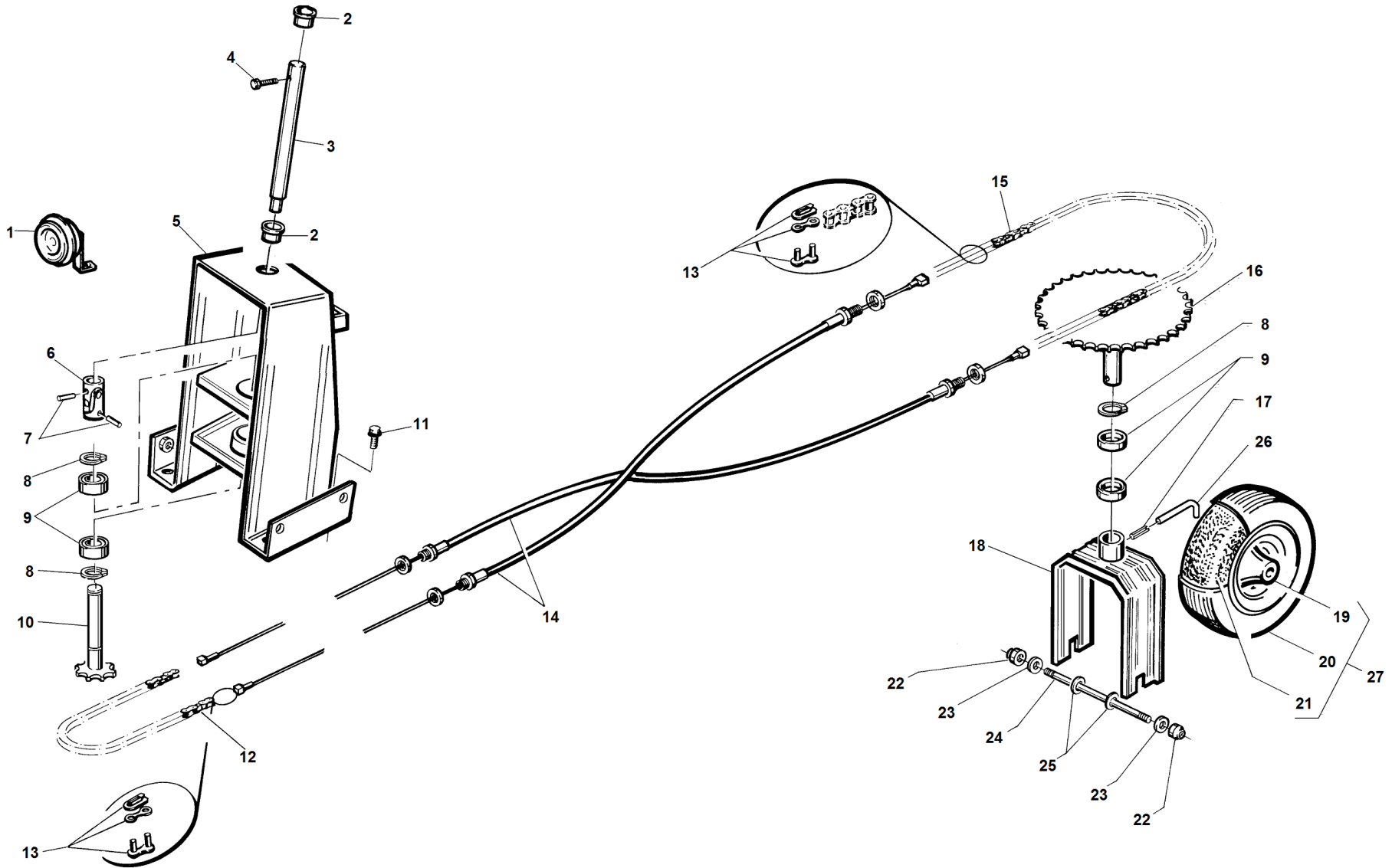
#	P/N	DESCRIPTION	TOP GREEN	REF. 1 - 0055991011
1	00555000020	TRANSFER PRINTING F.		
2	00111970072	STEERING WHEEL WITHOUT HANDLE		
4	00777800222	START SWITCH		
5	00555200013	TRANSFER PRINTING START		
6	00555200128	TRANSFER PRINTING BRAKE		
11	00111350009	SCREW AUTOFORF.4.2X13		
12	95500000057	REAR RED DASHBOARD		
13	95534100001	NEW FRONT HOOD		
14	00555200006	TRANSFER PRINTING		
15	00111000184	SCREW TE M5X10		
16	00111500005	WASHER 5.5X15X1.6		
17	00111970007	PLASTIC HINGE M5		
18	00111000076	SCREW TE M10X25		
19	00111250004	SELF BL. NUT M10		
20	00111450003	SCREW WASHER M8X20		
21	00111000071	SELF BLO. NUT M8		
22	95500000003	SEAT SUPPORT HINGE		
23	PV95500110002	SEAT SUPPORT		
24	90106000009	VIBRATIONS-DUMPING SUPPORT		
25	00111300019	SCREW TE M4X20		
26	00777800023	PUSH BUTTON 15117000		
27	00777850008	SEAT WITH GUIDES		
28	00111000059	FAKE SCREW/WASH. M8X14		
29	00777850005	SEAT RIGHT GUIDE PAIR		
30	00777850006	SEAT LEFT GUIDE PAIR		
31	00111450005	SCREW/W M6X16		
32	00111450004	SCREW WASHER M8X12		
33	PZ95514160000	RIGHT SMALL BODY FIX. PLATE		
34	PZ95514170000	LEFT SMALL BODY FIX. PLATE		
35	PC95514130000	RIGHT HEAT PROTECTION		
36	PC95514000003	ENGINE PROTECTION GRID		
37	95514230000	LEFT HEAT PROTECTION		
38	PC95542100001	PROTECTION FIXING BAR		
39	PC95533000016	TOP NEW PROTECTION CROWN		
40	95515100000	TOP 150 REAR HOOD		
41	00555200035	TRANSFER PRINTING 15HP RIGHT		
42	00555200038	TRANSFER PRINTING		
43	00555200039	TRANSFER PRINTING		
44	00555200036	TRANSFER PRINTING 15HP LEFT		
45	95514240000	RIGHT FIXING PLATE		
46	00777850010	UPPER RIGHT GUIDE		
47	00777850011	UPPER LEFT GUIDE		
48	00777850003	LOWER RIGHT GUIDE		
49	00777850004	LOWER LEFT GUIDE		
50	95534000001	DEADENING PANNEL 250 x 165-		
51	00111970122	STEERING WHEEL PLUG		
52	00111970025	KNOB M8 MALE		
53	00555200018	TRANF. KEEP AWAY		
54	00555200061	DANGER TRANSFER PRINTING		
55	00555200112	"GIANNI F. " TRANSFER PRINTING		
56	95504000017	ACCELERATOR TRANSFER PRINTING		
57	95507300000	FRONT DASHBOARD RALL 3000		
58	00555200102	TRANSFER PRINTING		
59	00555200103	TRANSFER PRINTING		
60	00555200104	TRANSFER PRINTING		
61	95500000067	LIGHT GLASS		
62	00111990019	RING DIAM.4		



#	P/N	DESCRIPTION	TOP GREEN	REF. 1-1 - 00555991010
1	95547110000	TOP 12,5 REAR HOOD		
2	95030300001	BAND L=510		
3	00555200062	TRANSFER PRINTING		
4	00111450005	SCREW/W M6X16		
5	PZ95545100000	HOOD FIXING PLATE		
6	PZ95545110000	HOOD FIXING GUIDE		
7	95547110001	WASHER 229/6 L=540		
8	95500551000	GRID HOLDER WITH NUT		
9	PC95545000001	GUARD HEAT		
10	PZ95545120000	REINFORCEMENT GUARD HEAT		



#	P/N	DESCRIPTION	TOP GREEN	REF. 1-2 - 00555991030
1	95561100002	WASHER 229/6 L=767		
2	95561100001	TOP 130 REAR HOOD		
3	00555200095	TRANSFER PRINTING HONDA		
4	00555200097	TRANSFER PRINTING BFB x HONDA		
5	00555200018	TRANF. KEEP AWAY		
6	00555200089	""SPECIAL"" TRANSFER PRINTING"		



#

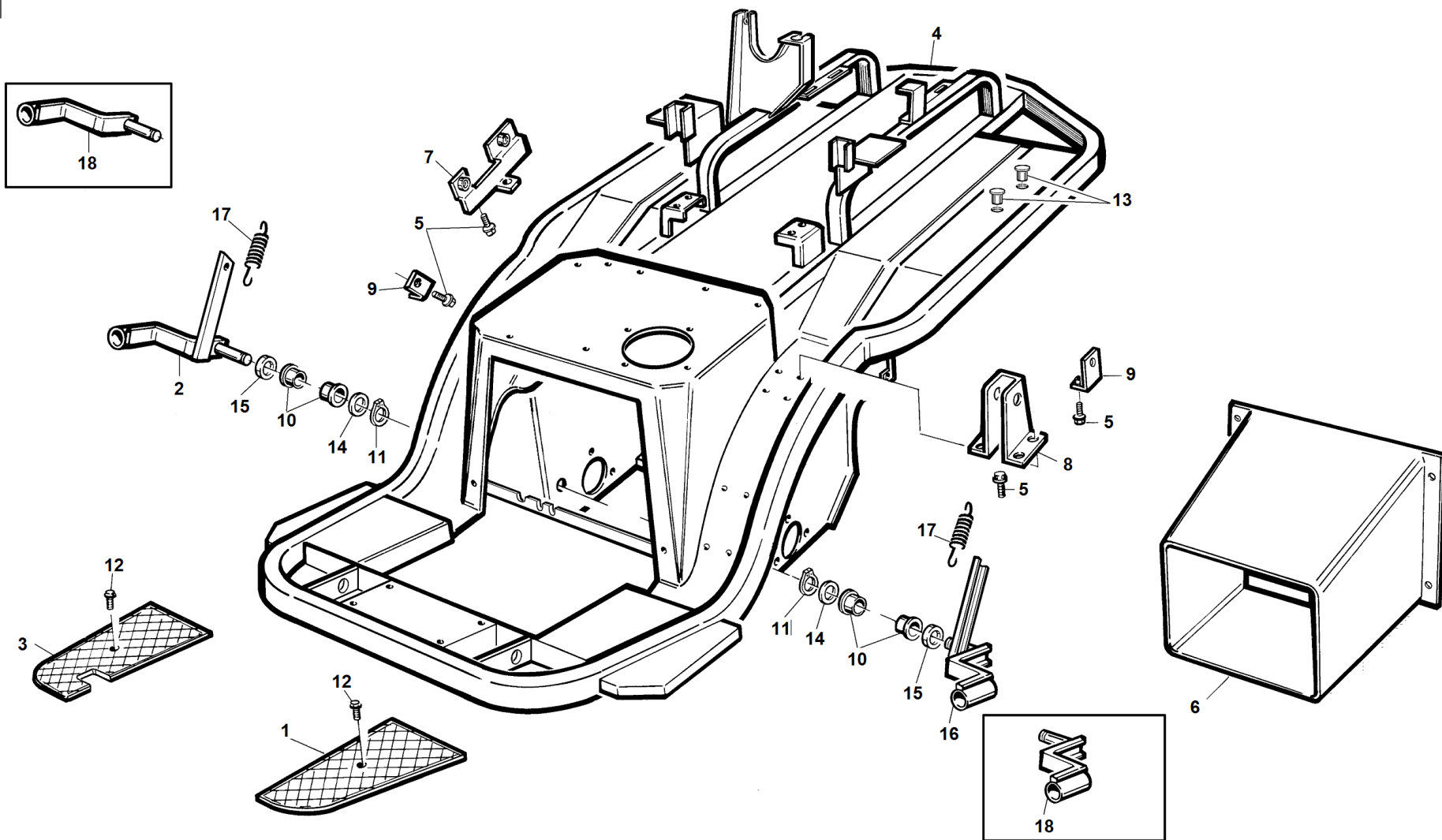
P/N

DESCRIPTION

TOP GREEN

REF. 2 - 00555991012

1	00777800022	HORN 12V		
2	95500000029	BUSHING STEERING		
3	95500000023	STEERING WHEEL SHAFT		
4	00111400015	ALLEN SCREW M6X40		
5	PZ95533111000	STEERING COLUMN		
6	00777200002	STEERING JOINT		
7	00111000147	PIN EL D.5X30		
8	00111000057	SNAP RING D.20 E		
9	00777100008	BEARING 6204 2RS 20x47x14		
10	PZ95533111100	STEERING PINION		
11	00111000059	FAKE SCREW/WASH. M8X14		
12	00777400002	CHAIN 3/8 37 PITCH		
13	00777400005	CHAIN JOINT 3/8x7/32		
14	95500000042	STEERING CABLE		
15	00777400001	CHAIN 3/8 75 PITCH		
16	PZ95533180000	TRANSMISSION SHAFT STEERING		
17	00111700010	PIN EL SPIROL D.6X40		
18	PV95533141000	REAR WHEEL FORK		
19	95005101000	DISC WHEEL 4.00-6		
20	00111940001	PNEUMATIC 13x5.00-6 4PR		
21	00111930001	INNER TUBE 140-6 TR 87		
22	00111250011	SELF BL. NUT M14x1,5		
23	00111500004	WASHER 15,2X28X2.5		
24	95005101001	REAR WHEEL SHAFT		
25	95500000075	REAR WHEEL SPACER		
26	95541000003	SPLIT PIN		
27	95533460000	COMPLETE WHEEL 13X5.00-6		



#

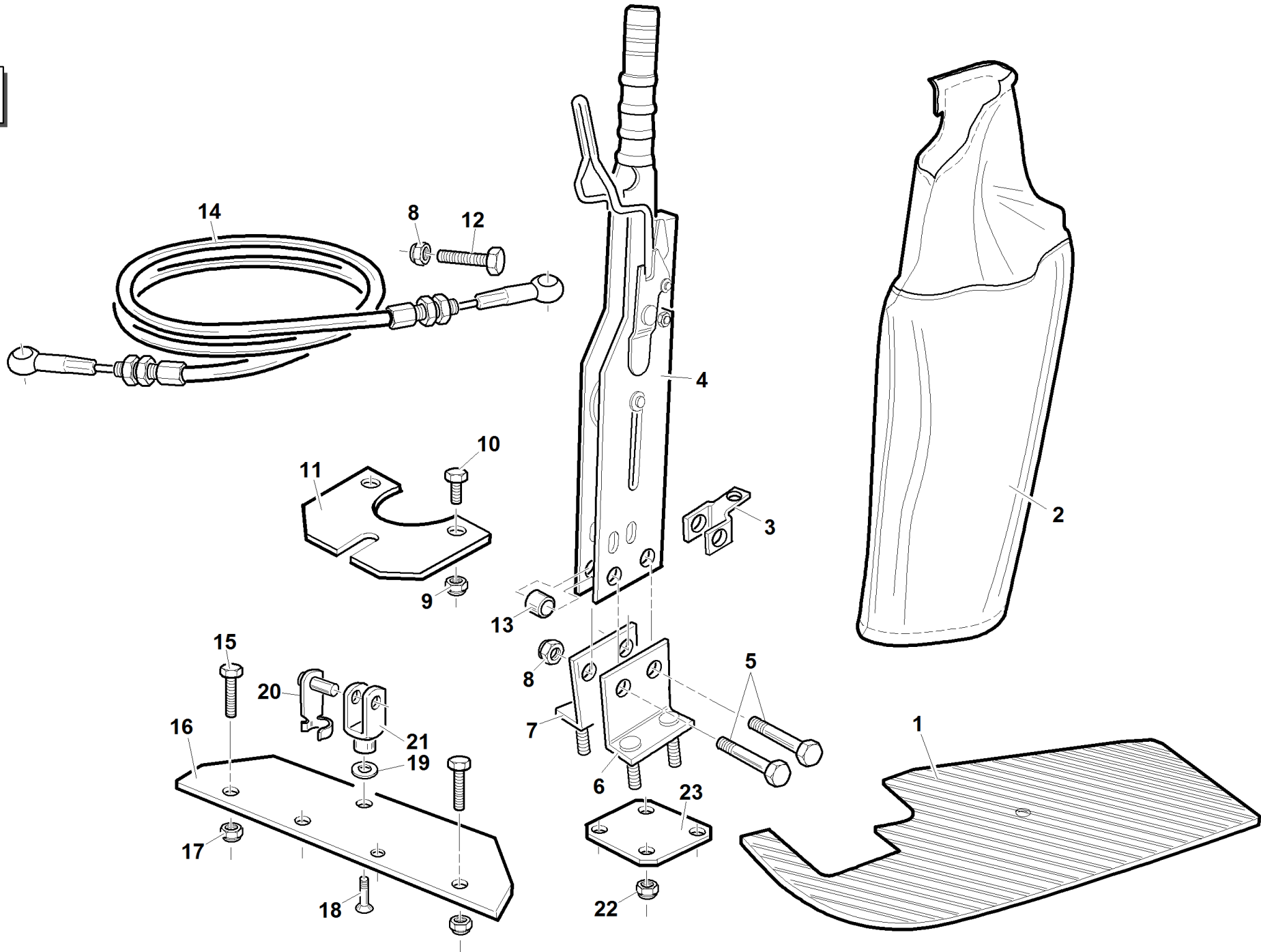
P/N

DESCRIPTION

TOP GREEN

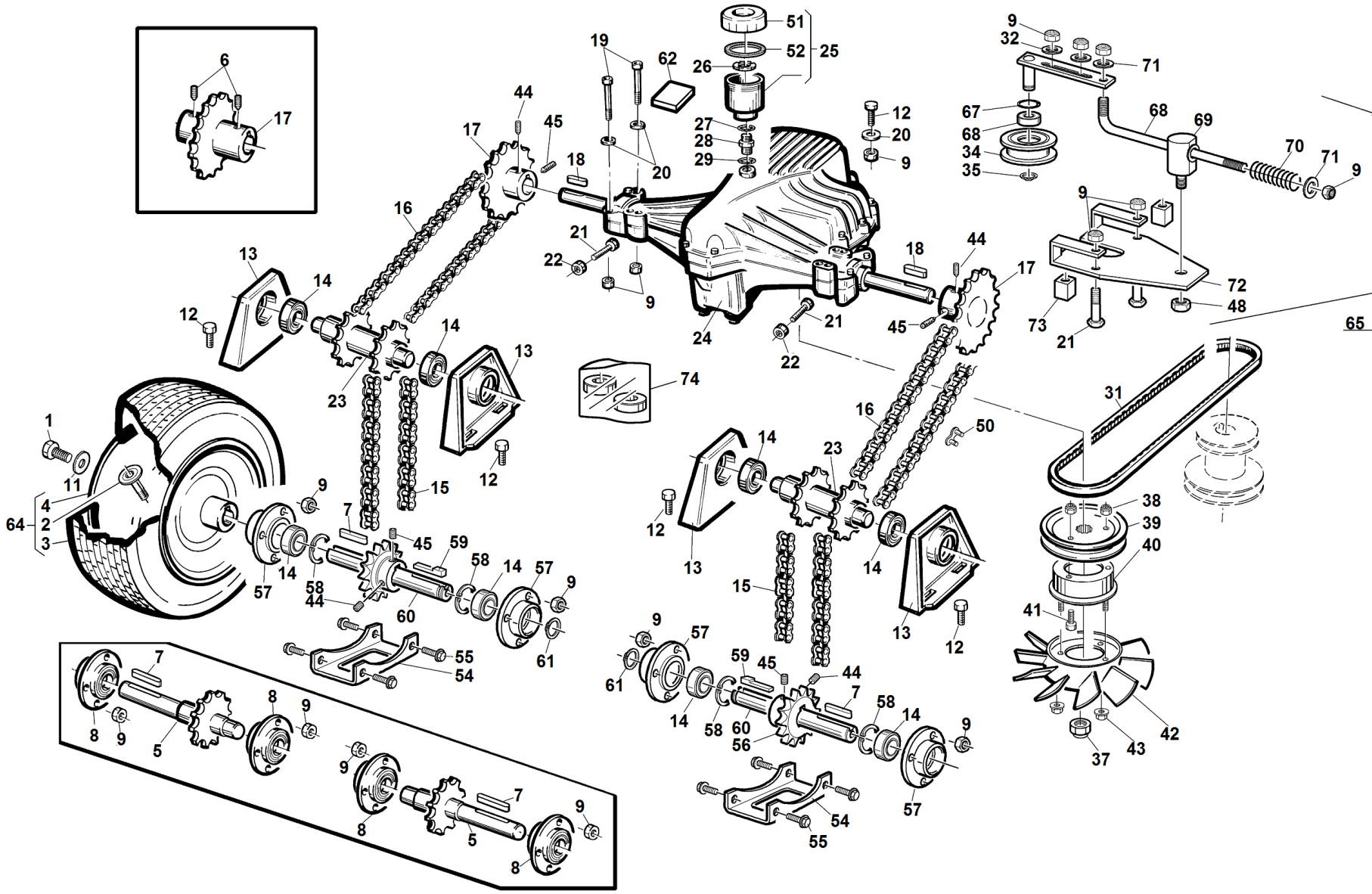
REF. 3 - 00555991013

1	95500000046	LEFT FOOTBOARD
2	PV95533470000	RIGHT LIFTING ARM
3	95533000009	RIGHT FOOTBOARD
4	PV95533240000	TG 150 FRAME
5	00111000059	FAKE SCREW/WASH. M8X14
6	PV95500410000	TUNNEL
6	PV95532230000	TUNNEL
7	PZ95500390000	HAND BRAKE SUPPORT
8	PZ95500151001	PTO LEVER SUPPORT
9	PZ95500159000	BODY FIXING ANGLE BAR
10	95001000060	BRASS BUSHING
11	00111650004	SNAP RING D.15 E
12	00111450004	SCREW WASHER M8X12
13	00111970074	ENCLOSURE KNOB
14	00111500004	WASHER 15,2X28X2.5
15	95541000004	SPACER 15,5X25 L=7
16	PV95533290000	LEFT LIFTING ARM
17	95070000001	COMPENSATION SPRING
18	PV95533280000	LIFTING ARM



#	P/N	DESCRIPTION	TOP GREEN	REF. 3-1 - 00555991034
1	95541000011	LEFT SHAPED FOOTBOARD		
2	00111990073	LIFTING LEVER PROTECTION		
3	95541000007	LIFTING CABLE SUPPORT		
4	00111990074	COMPLETE LIFTING LEVER		
5	00111300029	SCREW TE M10X55		
6	95541230000	LEFT LIFTING ARM SUPPORT		
7	95541240000	RIGHT LIFTING ARM SUPPORT		
8	00111000080	SELF BLO. SCREW M10		
9	00111000071	SELF BLO. NUT M8		
10	00111450003	SCREW WASHER M8X20		
11	95541000009	FIXING CABLE PLATE		
12	00111300018	SCREW TE M10X35		
13	95541000012	SPACER 3X17X17		
14	95541000010	LIFTING WIRECABLE		
15	00111300011	SCREW TE M6X20		
16	95555110001	REINFORCEMENT TRAVERSE		
17	00111000166	SELF BL. SCREW M6		
18	00111350021	SCREW TSPEI M8X25		
19	00111000087	WASHER P.8,4X15.6X1,5		
20	00111000194	FORKED PIN D.8		
21	00111000196	FORK IN M8		
22	00111000095	SELF BLO. NUT M8		
23	95541000008	FIXING LEVER PLATE		

TOP GREEN



#	P/N	DESCRIPTION	TOP GREEN	REF. 4 - 0055991014
1	00111000040	FALS SCREW R.M10X20		
2	00111930006	TUBELESS VALVE TR413		
3	00111940008	PNEUMATIC 16X750-8		
3	00111940018	PNEUMATIC 16X7.50-8		
4	95533161000	"DISC WHEEL 5.75" X 8"		
5	95533190000			
6	00111960002	GRUB M8X16		
7	00111900013	TONGUE A 6X6X60		
8	95533000001	WHEEL HUB		
9	00111000071	SELF BLO. NUT M8		
11	00111000070	WASHER P. 11X30X2.5 ZNT		
13	95500440000	BEARING SUPPORT		
14	00777100008	BEARING 6204 2RS 20x47x14		
15	00777400004	CHAIN 3/4X7/16 55 PITCH		
16	00777400003	CHAIN 3/4X7/16 45 PITCH		
17	95500000005	CROWN Z16		
17	95541000005	PINION Z=16		
18	00111900008	TONGUE 3/16		
19	00111300020	SCREW TE M8X70		
20	00111000061	WASHER 8.4X24X2		
21	00111000094	SCREW TE M8X40		
22	00111000082	NUT M8		
23	95533151000	SHAFT WITH CROWN		
24	00777600064	COMPACT AXLE		
25	00111970030	OIL TANK		
26	00111000189	METAL RING 20X1		
27	00777230004	OR RING 4081		
28	95500000068	OIL TANK CONNECTOR		
29	00777230005	OR RING 3043		
31	00111980005	BELT SPAX 778		
32	00111050001	SPRING WASHER 8.2X23X0.9		
33	95500460000	BELT TIGHTENER		
33	95541220000	BELT TIGHTENER		
34	95500320000	TIGHTENER PULLEY		
35	00111650014	SNAP RING D.17 E		
36	95533131200	HYDROST. GROUP PULLEY		
37	00111150008	"NUT 1/2" 20 UNF"		
38	00111000183	SELF BL. NUT M5		
39	95533131100	HYDROST. GROUP PULLEY D=95		
40	PZ95533131300	PULLEY FLANGE FIXING		
41	00111400028	ALLEN SCREW M5X14		
42	95049141201	FAN 7CW265		
43	00111250012	SELF BL. NUT METB 5MA		
44	00111960001	GRUB M8X10 NO POINT		
45	00111960005	GRUB M8X10 UNI 5927		
48	00111000080	SELF BLO. SCREW M10		
50	00777400009	JOINT 3/4X7/16		
51	00111970088	OIL TANK PLUG		
52	00111970089	OIL TANK CAP GASKET		
54	95541000014	TOP FRAME REINFORCEMENT		
55	00111450003	SCREW WASHER M8X20		
56	95541000017	PINION 3/4 X 7/19 Z=14		
57	95541000015	HUB		
58	00111000058	SNAP RING D.47 I		
59	95541000018	TONGUE		
60	95541000016	AXLE SHAFT		
61	00111000057	SNAP RING D.20 E		
62	95500580001	BRAKE PROTECTION		
64	95533160000	FRONT WHEEL 16X7.50-8		

#

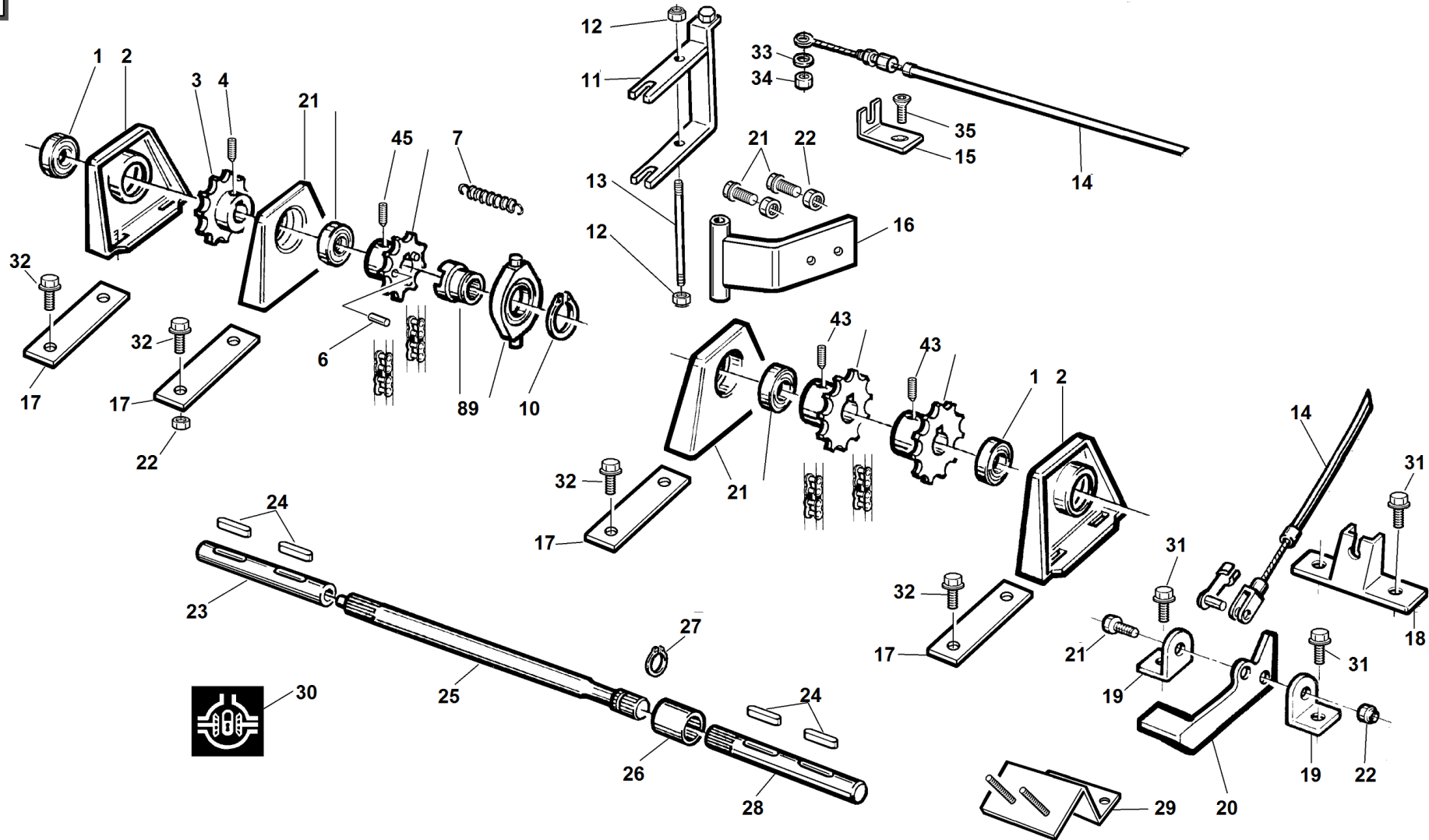
P/N

DESCRIPTION

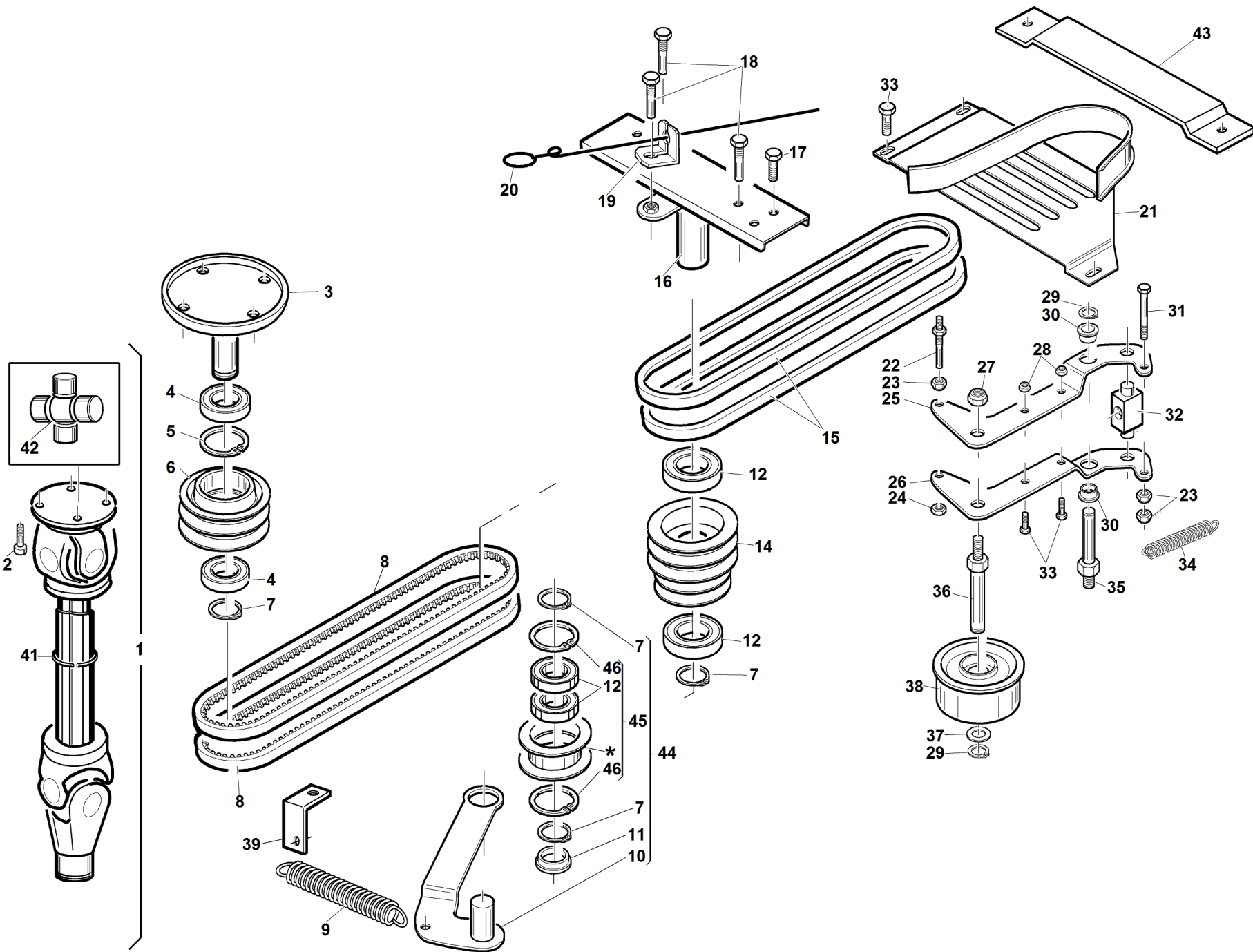
TOP GREEN

REF. 4 - 00555991014

65	95599140000	TG HYDRO. GROUP BELT TIGHTENER
66	00777100032	KOYO BEARING 6003 2RS 17X35X10
67	00111650005	SNAP RING D.35 I
68	95541000019	LEVER STAFF BELT TIGHTENER
69	94010800000	HYDRAULIC CYLINDER
70	95566110002	TIGHTENER REGULATOR SPRING
71	00111000087	WASHER P.8,4X15.6X1,5
72	95541000020	BELT TIGHTENER SUPPORT
73	95541000021	SQUARE 15 L=19
74	95599150000	AXLE OIL SEALS KIT 750/800



#	P/N	DESCRIPTION	TOP GREEN	REF. 4-1 - 00555991023
1	00777100008	BEARING 6204 2RS 20x47x14		
2	PZ95500000016	BEARING SUPPORT		
3	95500000018	PINION 3/4 x 7/16 Z=12		
4	00111960002	GRUB M8X16		
5	95500000035	PINION Z 12		
6	00111870002	PIN CYLIND. 8X24		
7	95001000056	TIGHTENER RECOVERY SPRING		
8	95500000022	DIFF.LOCK COUPLING		
9	99089140003	BLADE POSITION BUSHING		
10	00111000139	SNAP RING D.35 E		
11	PZ95554100000	BLOCKING FORKEY		
12	00111000166	SELF BL. SCREW M6		
13	99089000010	THREADED PIN		
14	95500000041	BLOCKING CABLE		
15	PZ95554000002	SUPPORT CABLE DIFFERENTIAL BLOCK.		
16	PZ95554120000	COMPLETE CHECK FORKEY TUBE		
17	PZ95554000003	BEARING FIXING SUPPORT PLATE		
18	PZ95500150019	SHEATH SUPPORT		
19	PZ95500000055	FOOTBOARD ANGLE BAR FIXING		
20	95500170000	BLOCK. PEDAL		
21	00111450001	SCREW WASHER M8X25		
22	00111000071	SELF BLO. NUT M8		
23	95500180000	RIGHT BLOCK. SHAFT		
24	00111900007	TONGUE A 6X6X40		
25	95500000033	MAIN SHAFT		
26	95554000001	BLOCKING BUSHING		
27	00111000057	SNAP RING D.20 E		
28	95500000034	LEFT BLOCK. SHAFT		
29	PZ95554110000	PTO MICRO SUPPORT		
30	00555200008	TRANSFER PRINTING BLOC		
31	00111000059	FAKE SCREW/WASH. M8X14		
32	00111450003	SCREW WASHER M8X20		
33	00111500009	WASHER 6.4X12.5X1.6		
34	00111000035	SELF BLOC. NUT M6		
35	00111000186	SCREW TSPEI M8X20		



#

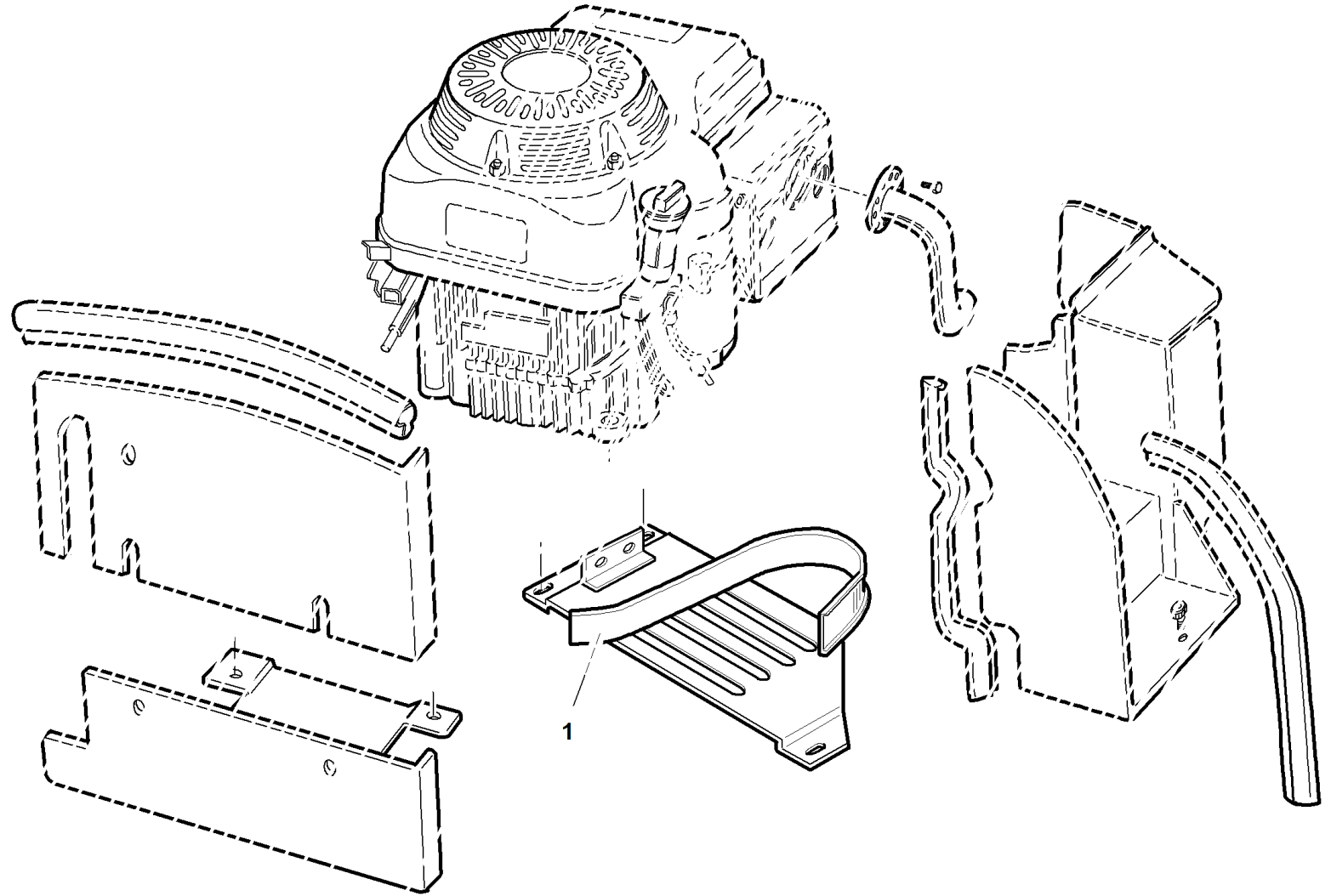
P/N

DESCRIPTION

TOP GREEN

REF. 5 - 00555991015

1	00777201700	CARDAN JOINT
2	00111400012	ALLEN SCREW M6X15
3	PZ95533171100	ZNT CARDAN SHAFT
4	00777100020	KOYO BEARING 6204 2RS
5	00111000058	SNAP RING D.47 I
6	95533171001	PULLEY 5 RACES
7	00111000057	SNAP RING D.20 E
8	00111980014	BELT SPA 1150-PIRELLI
9	95001000056	TIGHTENER RECOVERY SPRING
10	PZ95533231000	BELT TIGHTENER FOR CARDAN
11	95533230001	BUSHING BELT THIGHTENER
12	00777100006	BEARING 6004 2RS 20X42X12
14	95533121000	MOTION TRANSMISSION PULLEY
15	00111980006	BELT GATES POWERATED 6853
16	PV95533121100	PLATE SUPP.PULLEY
17	00111450003	SCREW WASHER M8X20
18	95533120001	SCREW STOP BELT
19	PZ95533000013	BY PASS BLOCKING LEVER
20	95533000014	LEVER BY PASS
21	PZ95500340000	GRID STOP BELT
22	95533310001	BELT STOP PIN
23	00111000095	SELF BLO. NUT M8
24	00111000082	NUT M8
25	PZ95533221101	BELT TENSION UPPER PLATE
26	PZ95533221102	BELT TENSION LOWER PLATE
27	00111250002	SELF BL. NUT M12
28	00111000166	SELF BL. SCREW M6
29	00111650004	SNAP RING D.15 E
30	95001000060	BRASS BUSHING
31	00111300027	SCREW TE M8X60 ZNT
32	95533221103	STOP EYE
33	00111450005	SCREW/W M6X16
34	99076000017	TIGHTENER RECOVERY SPRING
35	95500150006	TIGHTENER STOP PIN
36	95533221002	PIN
37	95001000070	SPACER 15.5X20X1.7
38	95533221001	BELT TIGHTENER PULLEY
39	PZ95533000007	ANGULAR FIXING SPRING
41	95599330000	NO-SLIPPING SPRINGS KIT
42	00777201200	COMPLETE SPIDER
43	95541000013	REINFORCEMENT PLATE
44	95533230000	BELT TIGHTENER FOR CARDAN
45	95599210000	BELT TIGHTENER PULLEY TG155
46	00111650002	SNAP RING D.42 I

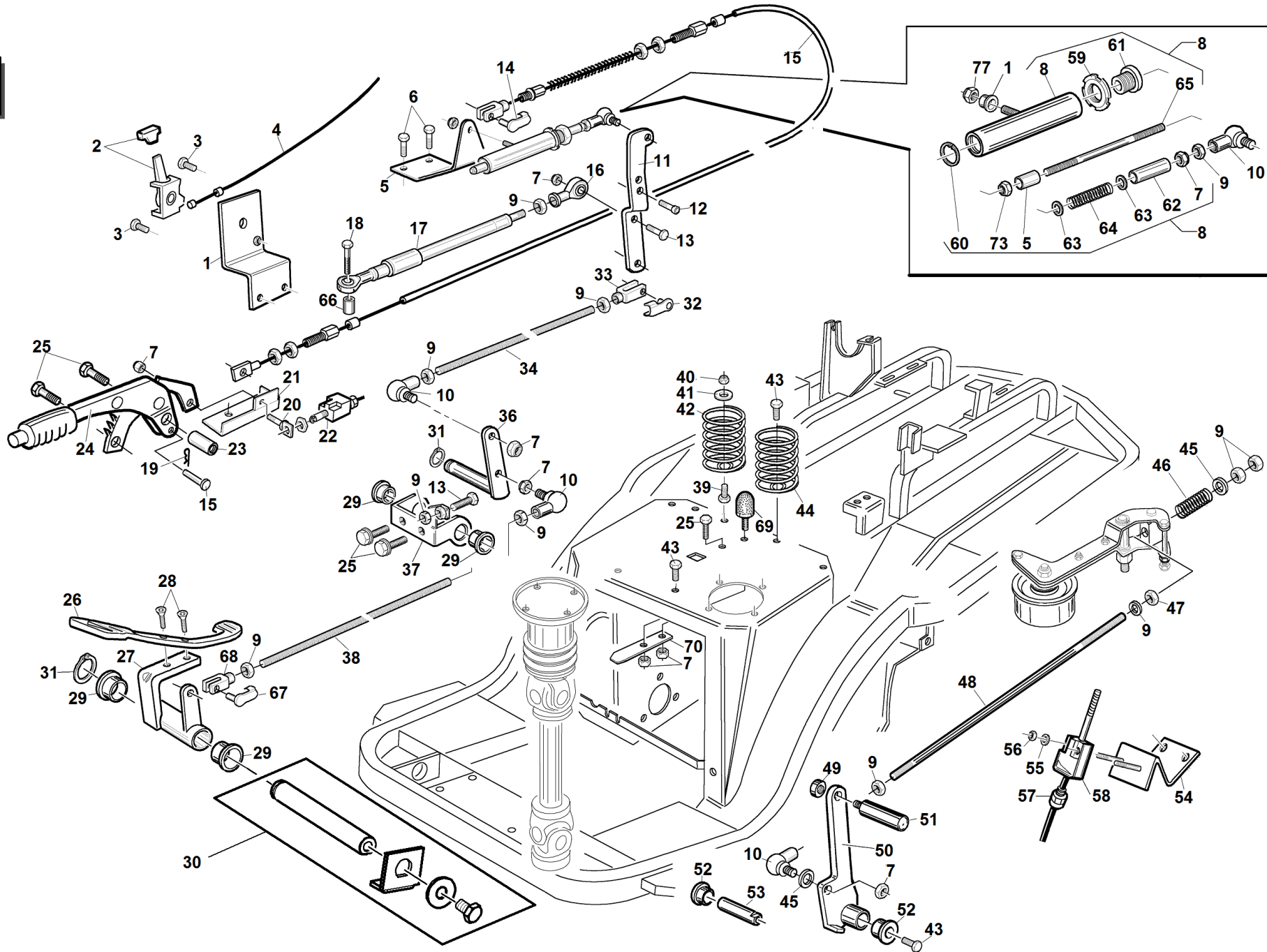


#**P/N****DESCRIPTION****TOP GREEN****REF. 5-1 - 00555991031**

1

PZ95561180000

GRID STOP BELT



#

P/N

DESCRIPTION

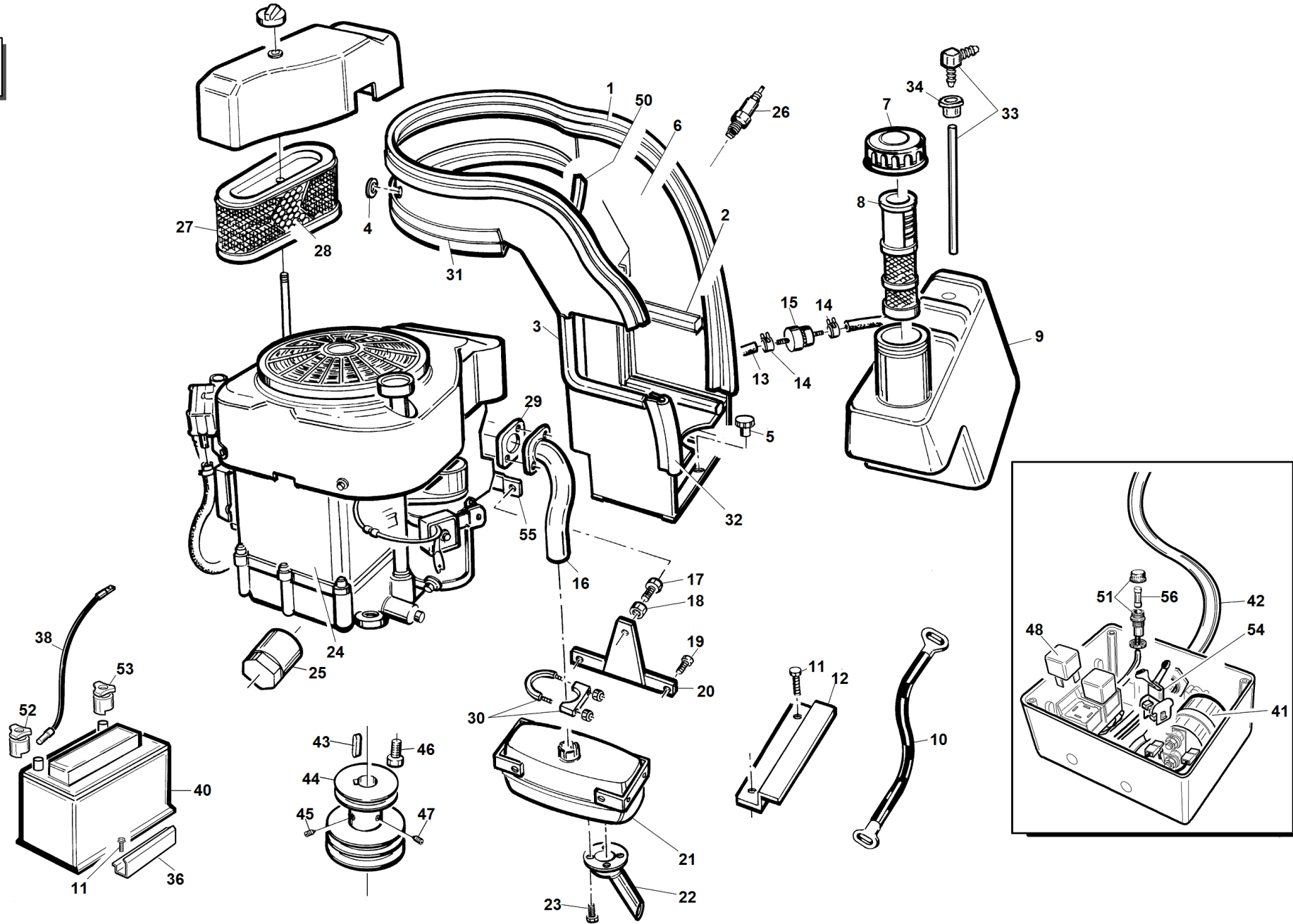
TOP GREEN

REF. 6 - 0055991016

#	P/N	DESCRIPTION	TOP GREEN	REF. 6 - 0055991016
1	PZ95533350000	COMPL. ACCEL.SUPPORT		
2	00111000192	ACCELERATOR LEVER		
3	00111000184	SCREW TE M5X10		
4	95533320000	ACCELERATOR CABLE		
5	PZ95533000004	U FIXING BAR		
6	00111300020	SCREW TE M8X70		
7	00111000071	SELF LOCKING NUT M8 UNI 7473		
8	95042230000	COMPLETE MECC. CYLINDER		
9	00111000082	NUT M8		
10	00777200001	ROUND JOINT AS 13 M8		
11	PZ95533270001	HYDROST. GROUP LEVER		
12	00111400026	ALLEN SCREW M8X25 ZNT		
13	00111000033	SCREW TE M8X30		
14	00111990030	SHAFT CLOSING		
15	95533300001	HAND BRAKE CABLE		
16	00777200008	ARTICULATION HEAD CML8 M8		
17	95533370000	HYDRAULIC PNEUM. CYLINDER		
18	00111300027	HEX SOCKET HEAD CAP SCREW M8X60 UNI 5737		
19	00111000114	"PIN ""R"" D.1,2"		
20	PZ95042190000	MICRO SUPPORT		
21	PZ95500390000	HAND BRAKE SUPPORT		
22	00777800033	MICRO SWITCH FK317		
23	95002000004	HOPPER STOP PIN		
24	00111990015	HAND BRAKE LEVER		
25	00111450003	SCREW WASHER M8X20		
26	95533000003	ACCELERATOR PEDAL		
27	PZ95533420000	PEDAL SUPPORT		
28	00111350022	SCREW TSPEI M8X30 ZNT		
30	95597270000	PEDAL PIN KIT		
31	00111650004	SNAP RING D.15 E		
32	00111000194	FORKED PIN D.8		
33	00111000196	FORK IN M8		
34	95533000010	TIE ROD LONG		
36	PZ95541180000	ACCELERATOR TRANSM. LEVER		
37	PZ95541190000	TRANSMISSION LEVER SUPPORT		
38	95533000011	TIE ROD SHORT		
39	00111450002	SCREW WASHER M8X30		
40	00111000095	SELF BLO. NUT M8		
41	00111000061	WASHER 8.4X24X2		
42	95500000039	SHORT SEAT SPRING		
43	00111000059	FAKE SCREW/WASH. M8X14		
44	95500470001	LONG SEAT SPRING		
45	00111000087	WASHER P.8,4X15.6X1,5		
46	95500000079	PTO COUPLING SPRING		
47	95500000073	THREADED EXAGON		
48	95500000028	PTO THREADED TIE ROD		
49	95500000070	PTO SHORT KNOB		
50	PV95541171000	PTO LEVER		
51	95500000071	PTO LONG KNOB		
52	95001000060	BRASS BUSHING		
53	95500000058	PTO LEVER PIN		
54	PZ95541160000	PTO MICRO SUPPORT		
55	00111500010	WASHER 4.3X9X0.8		
56	00111250006	SELF BL. NUT M4		
57	00777800037	CABLE HOLDER		
58	00777800038	LIMIT SWITCH FK320		
66	PZ95533000005	TUBE 12X1,5 L=33		
67	00777180001	FORKED PIN D.8		
68	00777180002	FORK IN M8		

#**P/N****DESCRIPTION****TOP GREEN****REF. 6 - 00555991016**

69	00111970086	VIBRATION-DAMPING STOPPER		
70	95541000006	MICRO SEAT SPRING		
71	00111530001	SYNTHETIZE BUSHING 8X10 L=5.5		



#

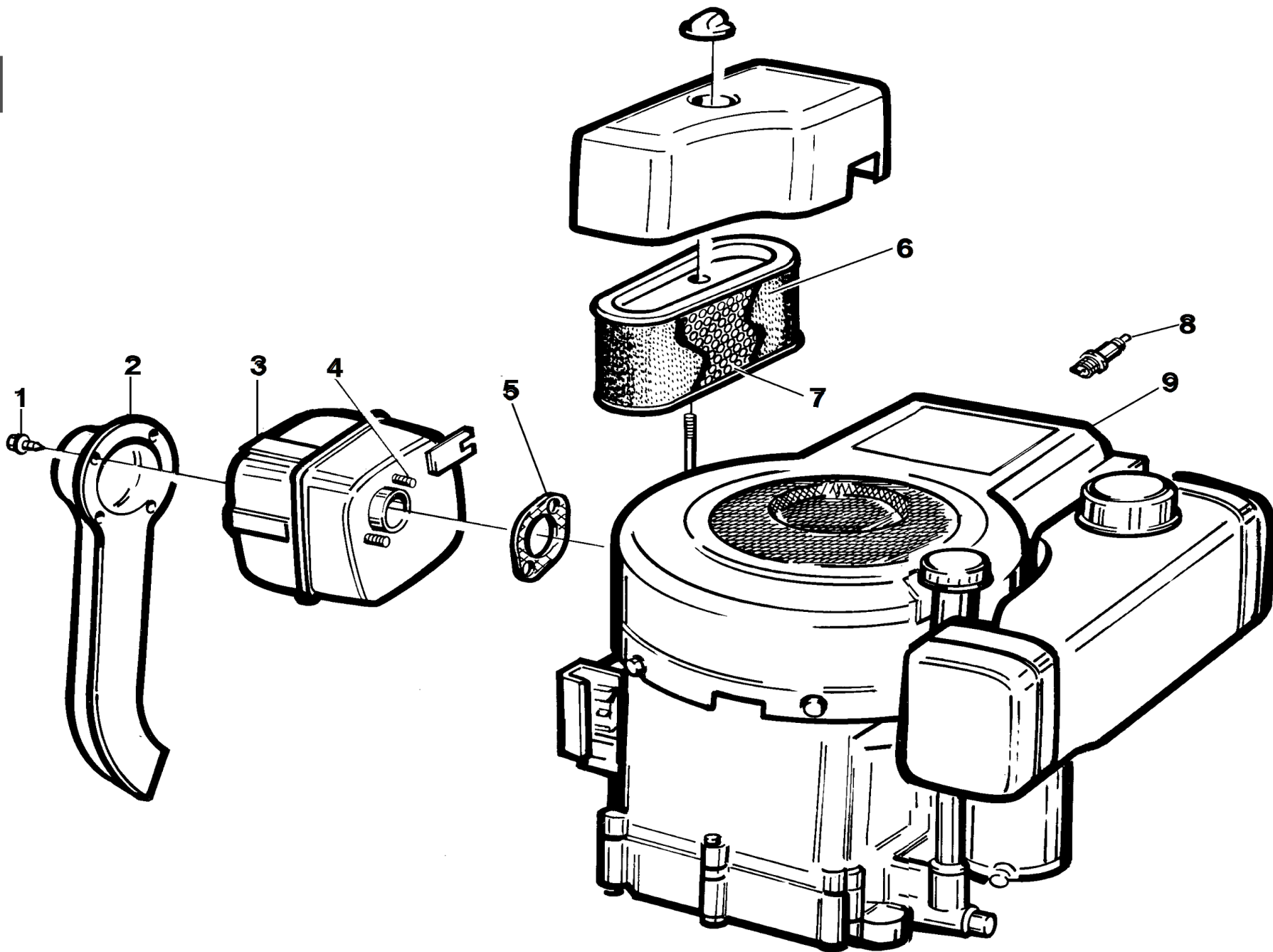
P/N

DESCRIPTION

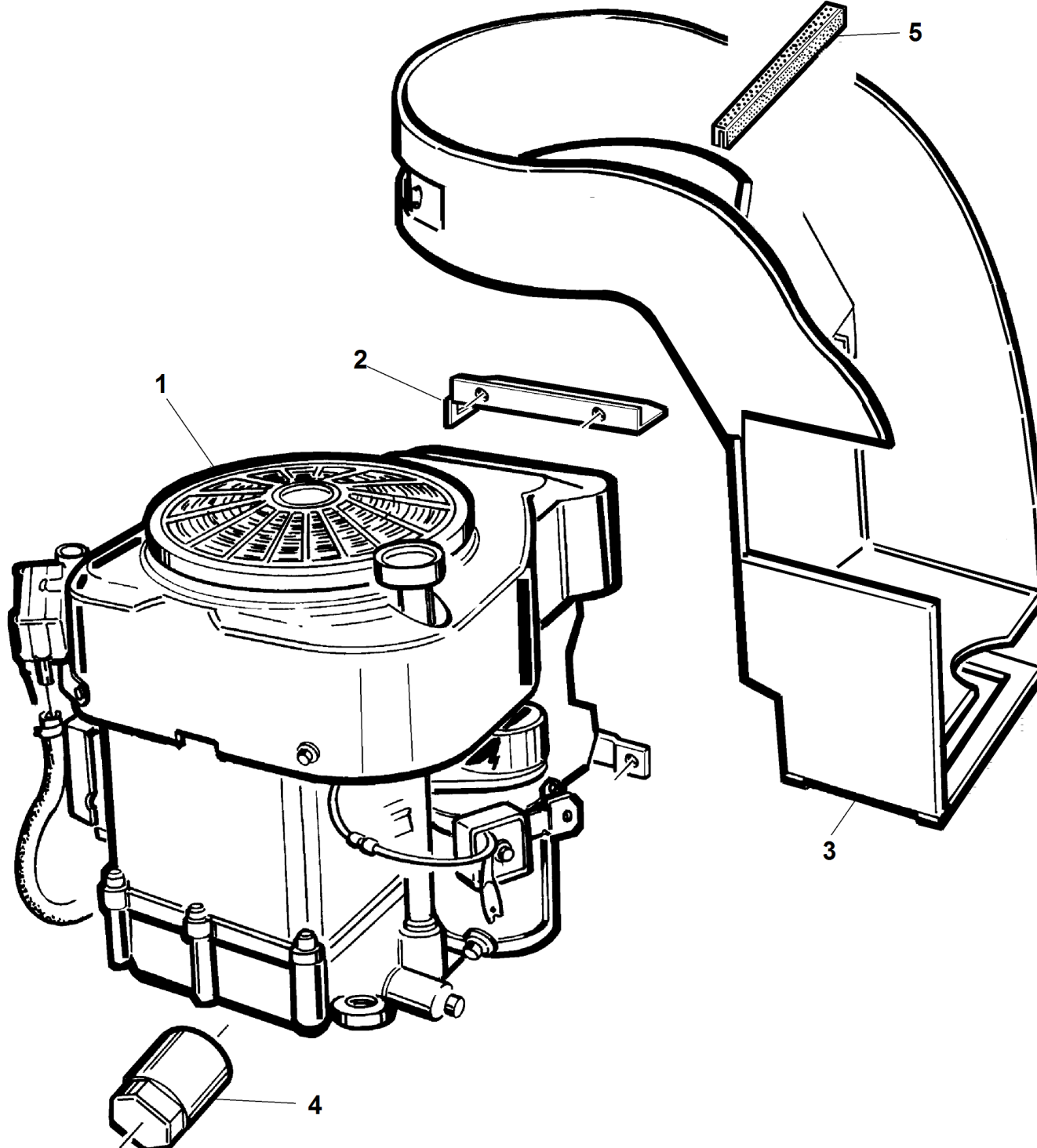
TOP GREEN

REF. 7 - 0055991018

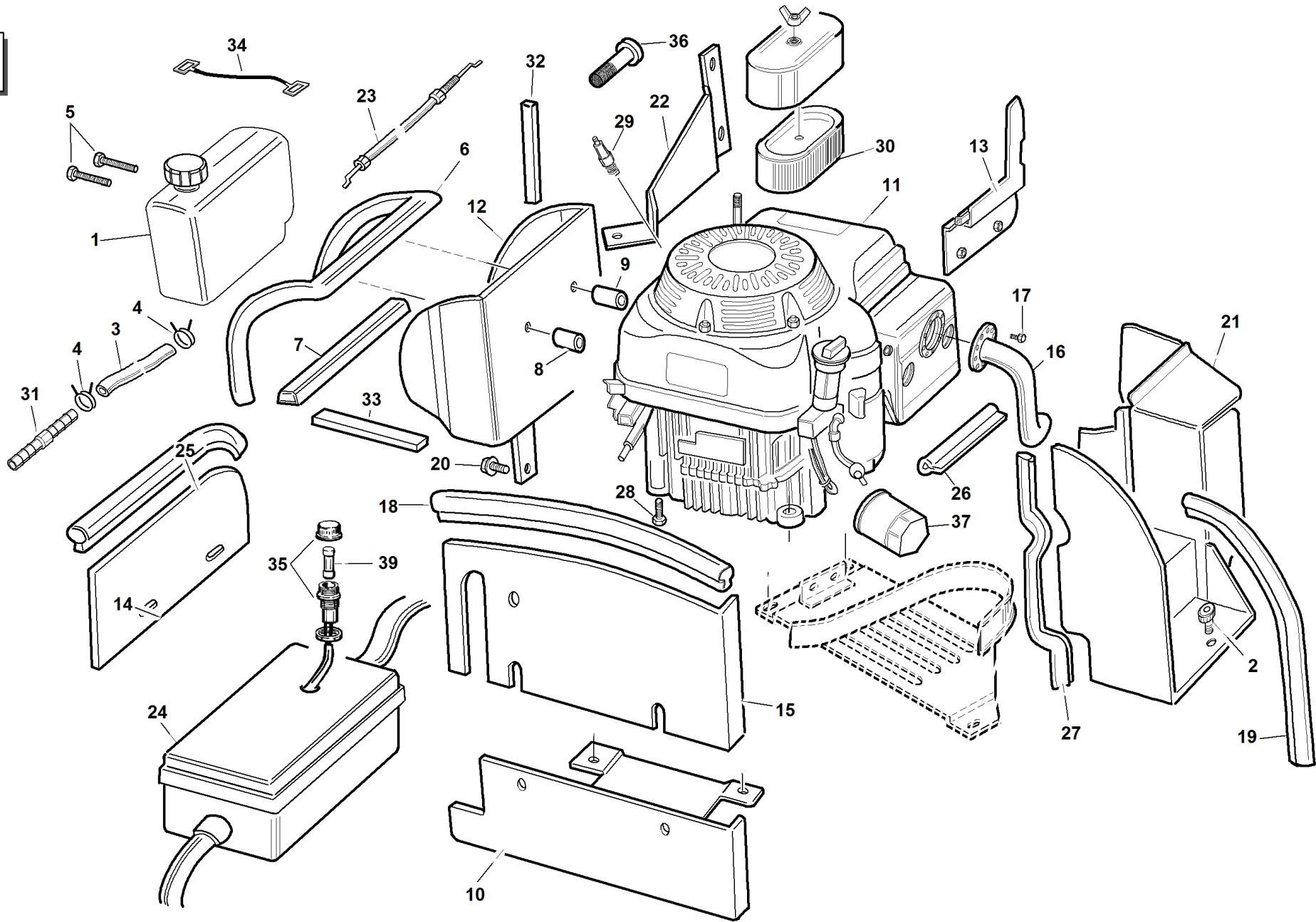
1	95514220001	WASHER I=1460	
2	95514220005	AIR STOP 15X10 L=160	
3	95514220006	BAND L=215	
4	00111970044	CABLE HOLDER	
5	00111970025	KNOB M8 MALE	
6	PC95514260000	TANK CRADLE	
8	00111970052	FUEL FILTER	
9	00111970090	TOP GREEN WHITE TANK	
10	95500630000	BATTERY FIXING ELASTIC	
11	00111450005	SCREW/W M6X16	
12	PZ95514000002	CRADLE FIXING PLATE	
13	95514220007	PETROL TUBE L=600	
14	00111810015	CLAMP	
15	00777650013	PETROL FILTER 16-18 HP	
16	95514201000	MUFFLER COLLECTOR	
17	00111000059	FAKE SCREW/WASH. M8X14	
18	00111000071	SELF BLO. NUT M8	
19	00111370002	SELF THREADING RAMA 94831	
20	PZ95514180000	EXHAUST SUPPORT	
21	00111990031	15,5 HP ENGINE EXHAUST	
22	95514190000	15 HP EXHAUST END	
23	00111990026	EXHAUST FIXING SCREW	
24	00777700008	ENGINE 15,5 HP	
25	00777650001	OIL FILTER 9/18 HP	
26	00777750001	SPARK PLUG 491055	
27	00777650006	PRE AIR FILTER	
28	00777650005	AIR FILTER	
29	00111990020	EXHAUST GASKET	
30	00111000201	MUFFLER CLAMP D.35	
31	95514220002	WASHER L=635	
32	95514220003	WASHER L=120	
33	00111970091	PETROL TUBE	
34	00111970053	CABLE HOLDER W8 D20 GREEN	
36	PZ95541000002	BATTERY FIXING U BAR	
37	00111300011	SCREW TE M6X20	
38	00777800036	TOP GREEN BATTERY GROUND CABLE	
39	00111000155	NUT M6	
40	00777800065	BATTERY 34A 180A	
40	95599000036	BATTERY 12V 43A	
41	00777800012	RELAY 06020	
41	00777800081	RAVIOLI RELAY T106	
42	95533330000	TOP GREEN ELECTRICAL SYSTEM	
43	00111900009	TONGUE 1/4 L=70	
44	95500000008	PULLEY ENGINE	
45	00111960002	GRUB M8X16	
46	00111000094	SCREW TE M8X40	
47	00111960001	GRUB M8X10 NO POINT	
48	00777800059	MICRO RELAYS 12V	
50	95514220008	WASHER 229/6 L=155	
51	00777800093	FUSE BOX	
52	00777800094	GREEN HOLDFAST	
53	00777800095	RED HOLDFAST	
54	00777800129	ELECTRIC SYSTEM 15.5 HP DIODE	
55	PZ95542000001	MUFFER PLATE FIXING	
56	00777800058	GLASS FUSE 5X20 10A	



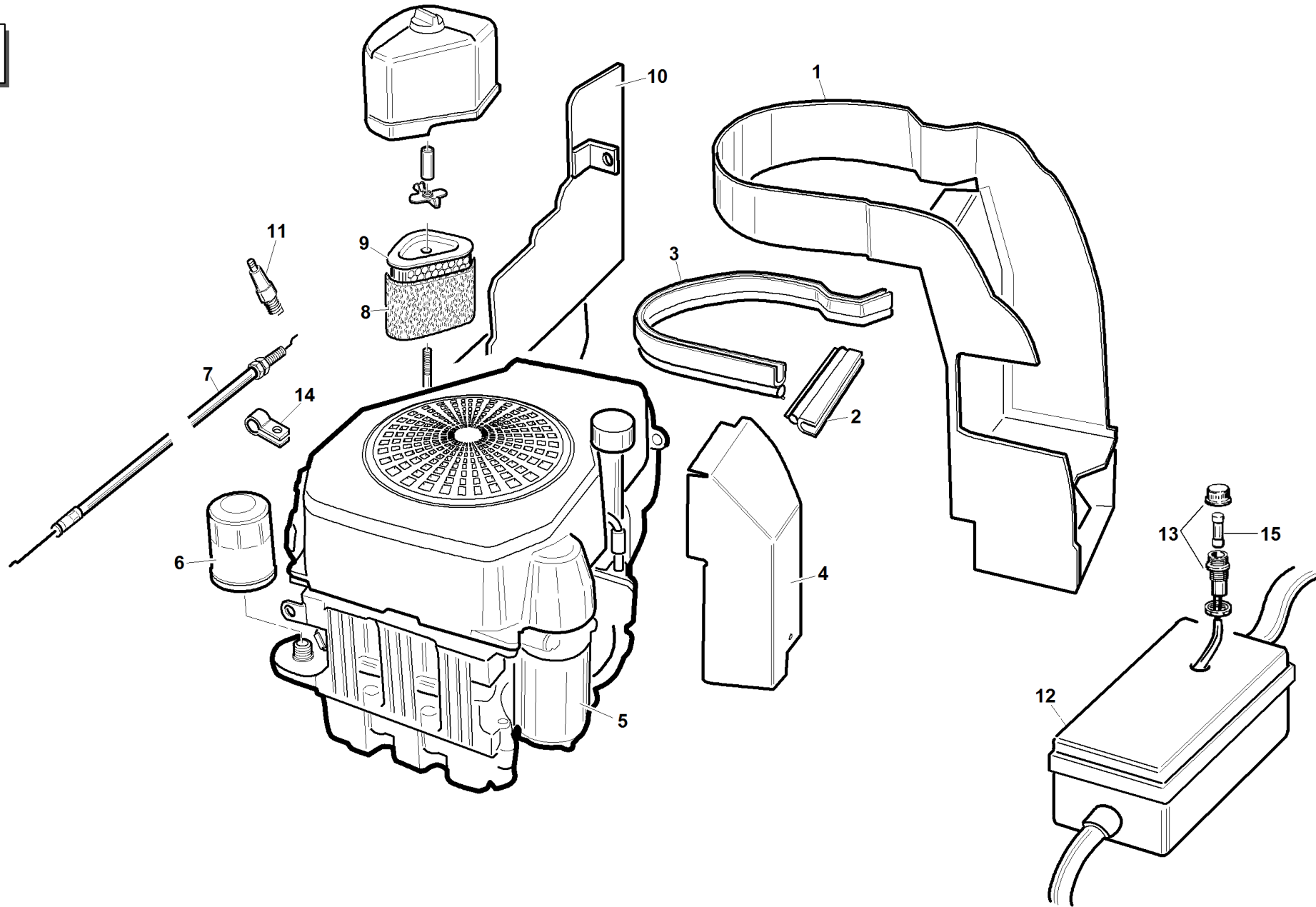
#	P/N	DESCRIPTION	TOP GREEN	REF. 7-1 - 0055991017
1	00111990026	EXHAUST FIXING SCREW		
2	95500380000	EXHAUST END		
3	00111990021	12,5 HP ENGINE EXHAUST		
4	00111990025			
5	00111990020	EXHAUST GASKET		
6	00777650006	PRE AIR FILTER		
7	00777650005	AIR FILTER		
8	00777750003	SPARK PLUG 802592		
9	00777700003	ENGINE 12.5 HP		
10	00111970124	TANK PLUG FUEL B&S 12.5HP		



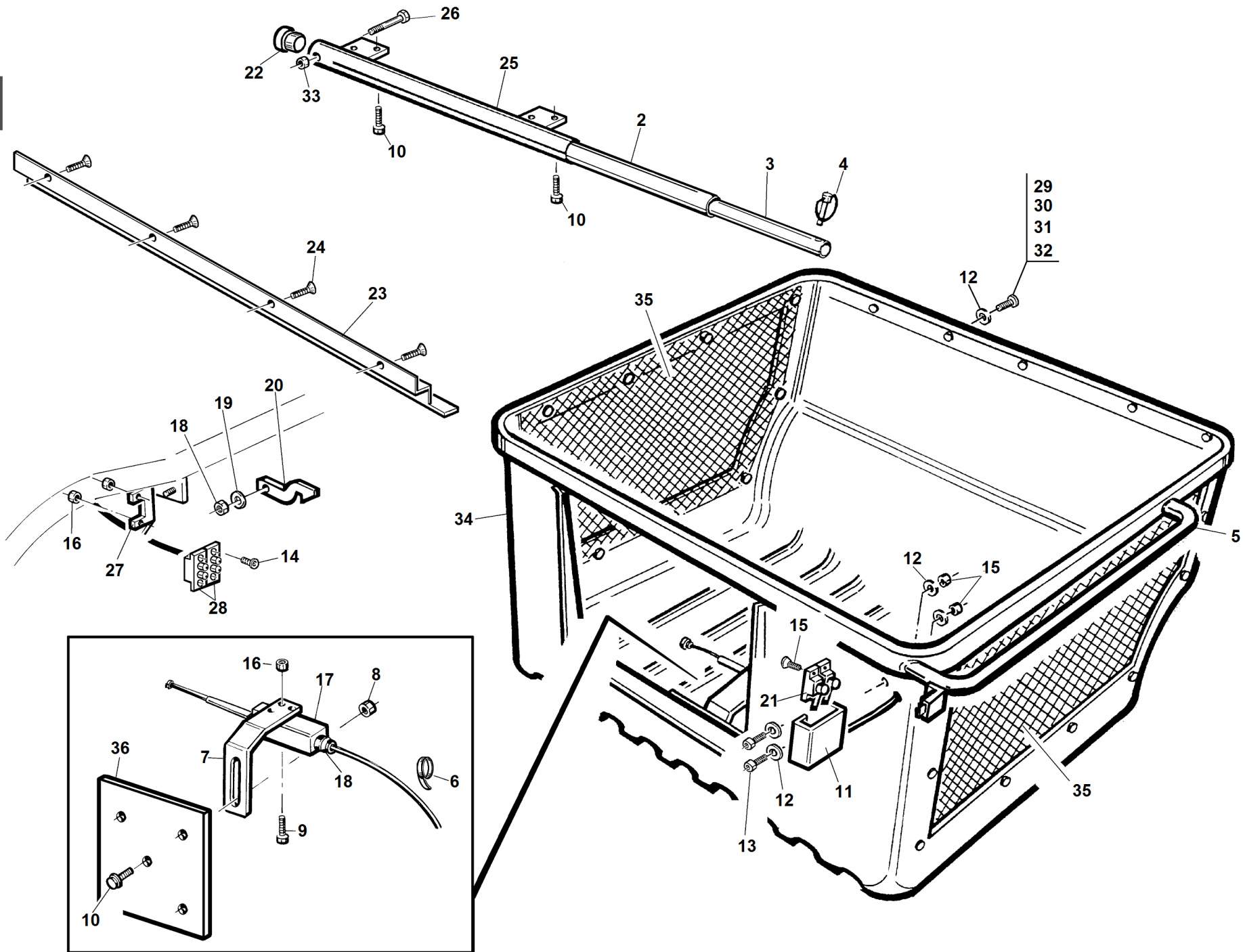
#	P/N	DESCRIPTION	TOP GREEN	REF. 7-2 - 0055991025
1	00777700005	VANGUARD ENGINE 15,5 HP		
2	PC95514150001	PROTECTION FIXING ANGLE		
3	PC95514100000			
4	00777650001	OIL FILTER 9/18 HP		
5	95514220006	BAND L=215		



#	P/N	DESCRIPTION	TOP GREEN
1	95561190000	HONDA FUEL TANK	
2	00111970025	KNOB M8 MALE	
3	95561000008	PETROL HOSE L=90	
4	00111810018	CLAMP	
5	00111000129	SCREW UNI 5737	
6	95561000004	WASHER 229/6 L=830	
7	95561000005	WASHER 229/6 L=190	
8	95561000002	SPACER 8.5X20 L=30	
9	95561000001	SPACER 8.5X20 L=33	
10	PV95561160000	HOND ENGINE GUARD SUMP	
11	00777700010	ENGINE 13 HP HONDA	
12	PV95561150000	COMPL.TANK SUPPORTING	
13	PV95561130000	COMPLETE GUARD HEAT	
14	PV95561000007	BELT CLOSER PLATE	
15	PV95561000006	DIVISION PLATE	
16	95561110000	EXHAUST END	
17	00111990026	EXHAUST FIXING SCREW	
18	95561000009	WASHER L=310	
19	95561000010	WASHER L=490	
20	00111370004	SELF FORM SCREW	
21	95561140000	GUARD MUFFLER	
22	95561120000	COMPLETE GRID HOLDER	
23	95561000003	HONDA ACCELERATOR CABLE	
24	95561170000	HONDA ELECTRICAL SYSTEM	
25	95561000011	WASHER L=395	
26	95561000012	WASHER L=230	
27	95561000013	WASHER L=270	
28	00111300040	SCREW TE 5/16	
29	00777750005	HONDA SPARK PLUG 13 HP	
30	00777650037	AIR FILTER CARTRIDGE	
31	00111970092	STRAIGHT PIPE-FITTING	
32	95561000015	AIR STOP 20X15 L=150	
33	95561000016	AIR STOP 20X8 L=150	
34	95561210000	TANK FIXING ELASTIC	
35	00777800093	FUSE BOX	
36	00777650038	PETROL FILTER HONDA	
37	00777650040	HONDA OIL FILTER	
38	00111970138	HONDA TANK PLUG	
39	00777800058	GLASS FUSE 5X20 10A	
40	00111970138	HONDA TANK PLUG	



#	P/N	DESCRIPTION	TOP GREEN	REF. 7-4 - 00555991032
1	PV95564101000	TANK CRADLE		
2	95564100001	WASHER L=170		
3	95564100002	WASHER L=680		
4	95564120000	LEFT KOHLER HEAT PROTECTION		
5	00777700012	ENGINE 15,5 HP KOHLER		
6	00777650032	KOHLER OIL FILTER		
7	95564131000	ACCELERATOR KOHLER WIRECABLE		
8	00777650030	KOHLER AIR PRECLEANER		
9	00777650031	KOHLER AIR FILTER		
10	PV95564110000	RIGHT KOHLER HEAT PROTECTION		
11	00777750004	KOHLER SPARK PLUG 15 HP		
12	95564140000	TG KOHLER ELECTRICAL SYSTEM		
13	00777800093	FUSE BOX		
14	00111810020	CLAMP 3/8 -82197		
15	00777800058	GLASS FUSE 5X20 10A		



#

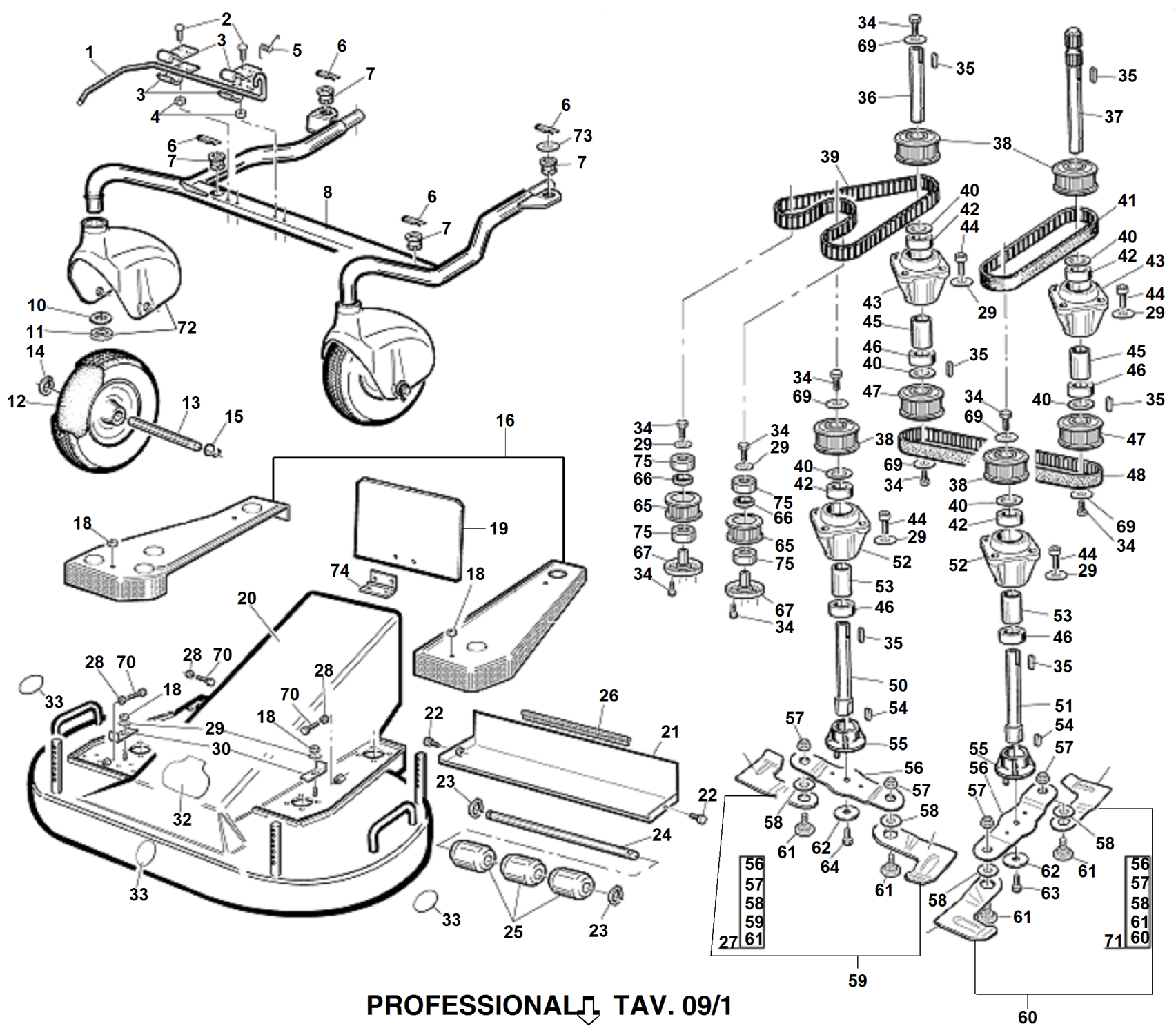
P/N

DESCRIPTION

TOP GREEN

REF. 8 - 00555991019

2	PZ95504000013	TUBE 32X1.5		
3	PZ95504000014	TUBE 25X2		
4	00111990018	PIN D.5		
5	PV95501101000	TOP COLLECTOR FRAME BLACK		
6	00111810017	CLAMP 5-16		
7	PZ95501100004	SUPPORT STOP		
8	00111000071	SELF BLO. NUT M8		
9	00111300024	SCREW TE M4X35		
10	00111450003	SCREW WASHER M8X20		
11	PZ95513100000	COMPLETE CONTACT SUPPORT		
12	00111500005	WASHER 5.5X15X1.6		
13	00111300012	SCREW TE M5X20		
14	00111350019	SCREW TSPEI M4X14		
15	00111000183	SELF BL. NUT M5		
16	00111250006	SELF BL. NUT M4		
17	00777800038	LIMIT SWITCH FK320		
18	00777800037	CABLE HOLDER		
19	00111000037	WASHER 6.6X18X2		
20	95500000038	HOPPER HOOK		
21	00777800102	OMEC FEMALE CONTACT		
22	00111970037	PUSH ROD D.40		
23	PZ95533000017	COLLECTOR ANGLE BAR		
24	00111000014	SCREW TSPEI M6X16		
25	PZ95533242600	TUBE		
26	00111300025	SCREW TE M6X50		
27	PZ95533340000	PLATE SUPPORT CONTACT		
28	00777800101	OMEC MALE CONTACT		
29	00111800003	RIVET D. 4,8 X 9		
30	00111800004	RIVET D.4.8X16X20		
31	00111800010	RIVET D.4,8X12		
32	00111000054	RIVET D.4.8x12 AL		
33	00111000166	SELF BL. SCREW M6		
34	95513100001	TOP GREEN HOPPER PLASTIC		
35	PC95513100002	TOP GREEN COLLECTOR SIDE GRID		
36	95501000004	COLLECTOR REINFORCEMENT		



PROFESSIONAL TAV. 09/1

#	P/N	DESCRIPTION	TOP GREEN	REF. 9 - 00555991020
1	PZ95504000018	DECK HOOK		
2	00111300011	SCREW TE M6X20		
3	PZ95504000015	HINGE TROLLEY ZINC.		
4	00111000166	SELF LOCKING NUT M6 UNI 7473		
5	95504000019	SPRING TROLLEY ATTACHM.		
6	00111000175	""R"" SPLIT PIN D.4 UNI 8833"		
7	90106000007	TROLLEY BUSHING		
8	PV95532111000	TOP GREEN TROLLEY		
10	PZ95532110003	WASHER 31X42X2,5 ZNT		
11	00111650020	SNAP RING TYPE ZA D.30		
12	95532111200	WHEEL COMPLETE D.210		
13	95532110002	SHAFT WHEEL		
14	00111000057	SNAP RING D.20 E		
15	95532110004	SPRING LEVER SHAFT WHEEL		
16	95599570000	BELT COVER KIT		
18	00111000071	SELF LOCKING NUT M8 UNI 7473		
19	95504000022	BLACK ABS STRAP		
20	PV95532100000	TG MOWER DECK FRAME		
21	PV95532130000	LOWER BELT COVER		
22	00111450005	SCREW/W M6X16		
23	00111650019	SNAP RING D.16 E		
24	95532000025	SHAFT ROLLERS SUPPORT		
25	00111970073	STARTING ROLLER		
26	95532000027	WASHER L=260		
27	95532140000	RIGHT BLADE PREASSEMBLED		
28	00111500003	WASHER 12X36X3		
29	00111000061	WASHER 8.4X24X2		
30	PZ95532100003	REGULATOR BELT PLATE		
32	95504000016	TRANSFER PRINTING		
33	00555000029	MOWER DECK WARNING DECAL		
34	00111000081	HEXAGON SCREW M8x16 UNI 5739		
35	00111000174	TONGUE A 6X6X30		
36	95532000005	TRANSMISSION SHAFT		
37	95532000003	CARDAN SHAFT		
38	95532220001	PULLEY HTD 30-8M		
39	00111980003	BELT 1440 RPP8-020		
40	95500000059	SPACER 20.5X35X3		
41	00111980002	BELT PIRELLI 840		
42	00777100006	BEARING 6004 2RS 20X42X12		
43	95532000001	TRANSMISSION BELT SHAFT SUPPORT		
44	00111400022	ALLEN SCREW		
45	95532000019	SPACER 20,2X26 L=38		
46	00777100020	KOYO BEARING 6204 2RS		
47	95532000015	HALF PULLEY		
47	95532210001	PULLEY HTD 26-8M		
48	00111980013	BELT 960 RPP8-20-PIRELLI		
50	95532000023	BLADE SUPPORT SHAFT		
51	95532000004	BLADE SUPPORT SHAFT		
52	95532000002	BLADES SHAFT SUPPORT		
53	95532000016	SPACER 20,2X26 L=31,5		
54	00111900006	TONGUE A 6X6X18		
55	95504000011	BLADE SUPPORT		
56	95532000011	REENTERING BLADE SUPPORT		
57	00111250008	SELF LOCKING NUT M12 UNI 7473		
58	00111050003	SPRING WASHER 16X40X1,5		
59	95532260000	COUPLE RIGHT REENTERING BLADE L=152		
60	95532250000	COUPLE LEFT REENTERING BLADE L= 152		
61	95532000012	REENTERING BLADE FIXING SCREW		
62	95504000010	SPRING WASHER 10,5X50X2,5		

#

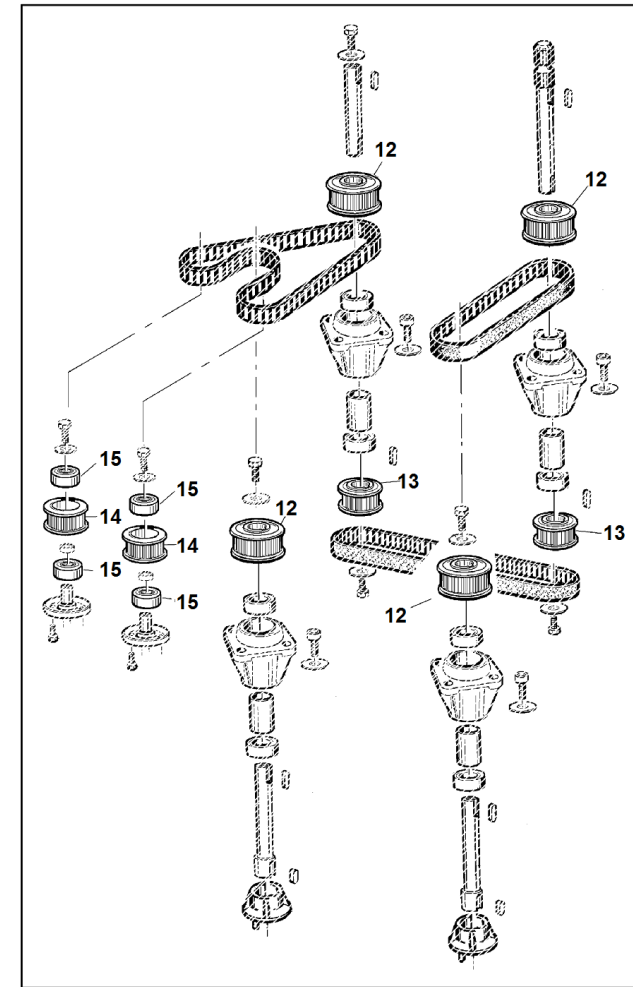
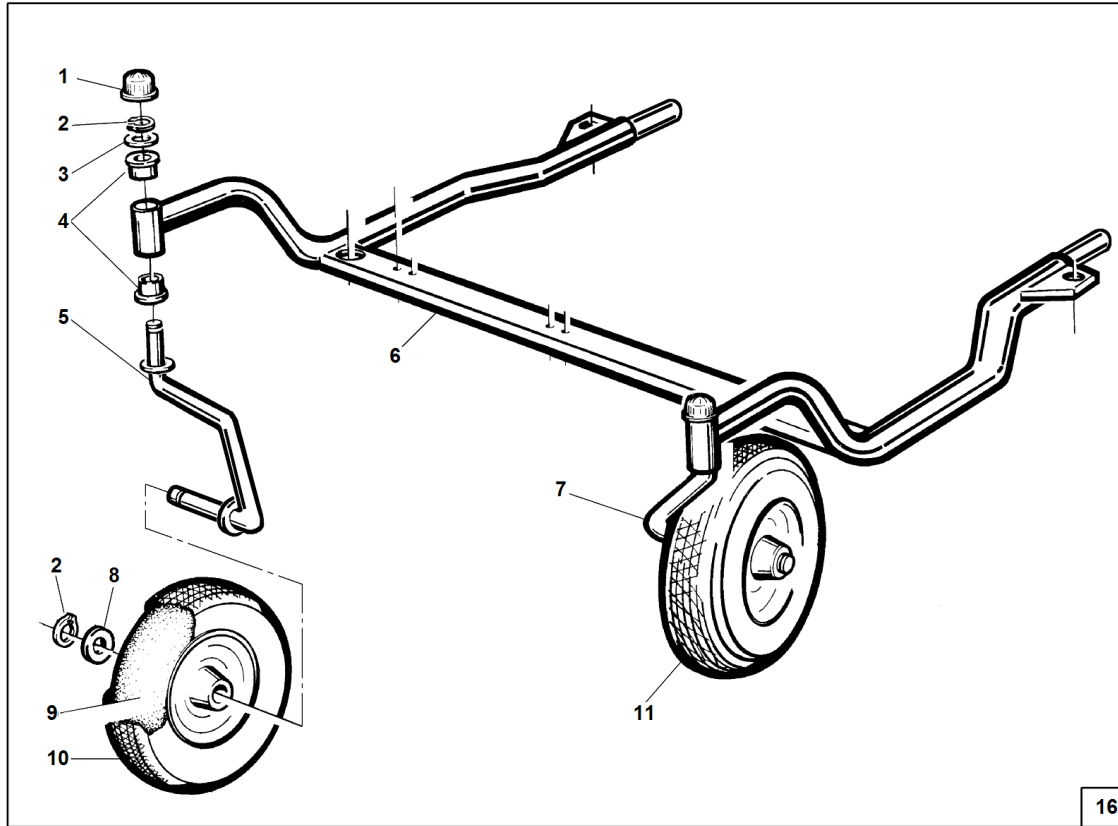
P/N

DESCRIPTION

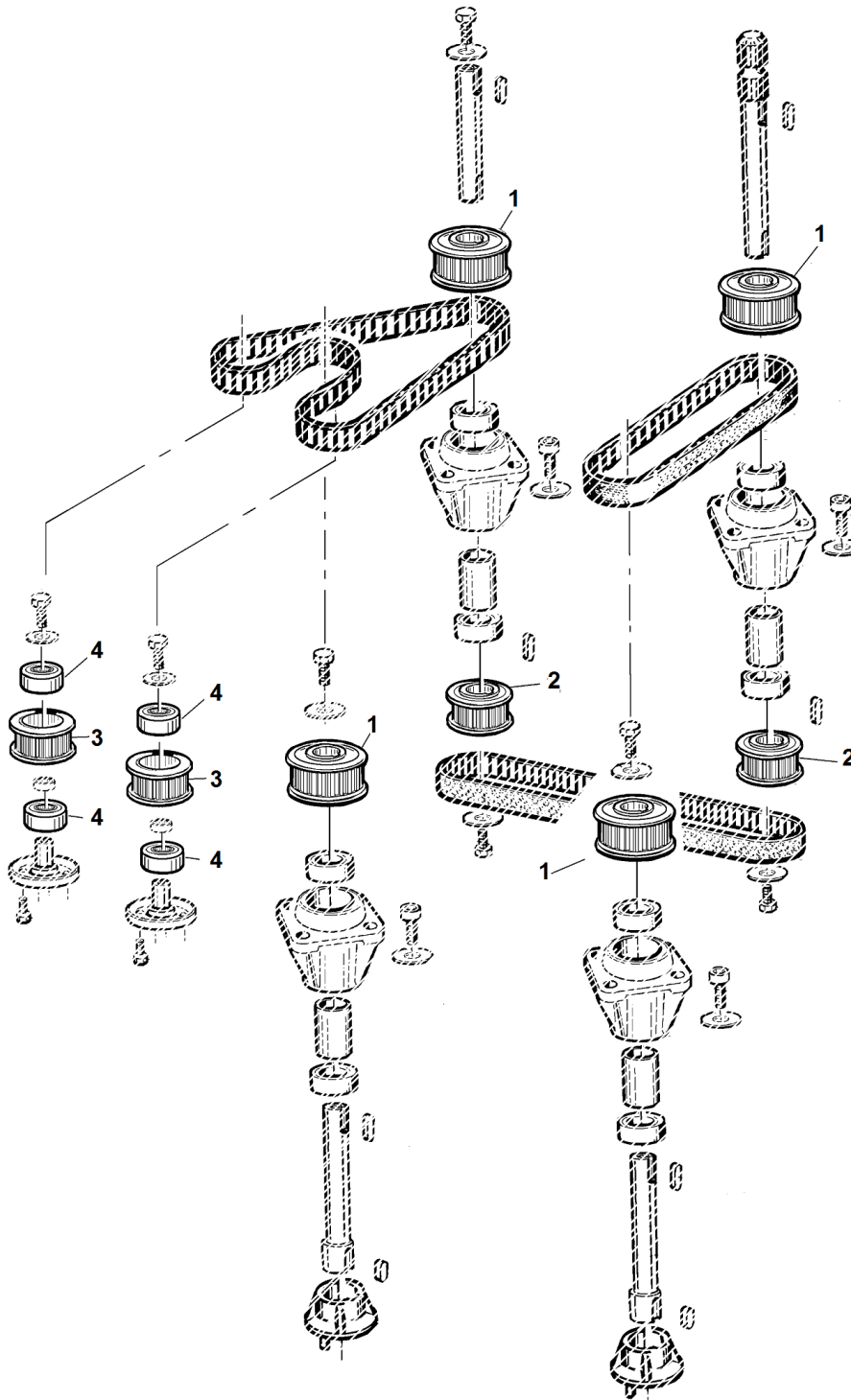
TOP GREEN

REF. 9 - 00555991020

63	95504000020	BLADE FIXING SCREW
64	95532000024	BLADE FIXING SCREW LEFT
65	95532170001	PULLEY HTD 26-8M
66	95532000026	SPACER 17,2X24X4.5
67	PZ95532120000	SHAFT
69	00111000132	WASHER P. 8,4X32X2,5 ZNT
70	00111300015	SCREW TE M8X55
71	95532150000	LEFT BLADE PREASSEMBLED
72	95599100000	TROLLEY FORK
73	00111000170	WASHER 17X30X3
74	00777580001	HINGE 50X100
75	00777100036	KOYO BEARING 6203 2RS

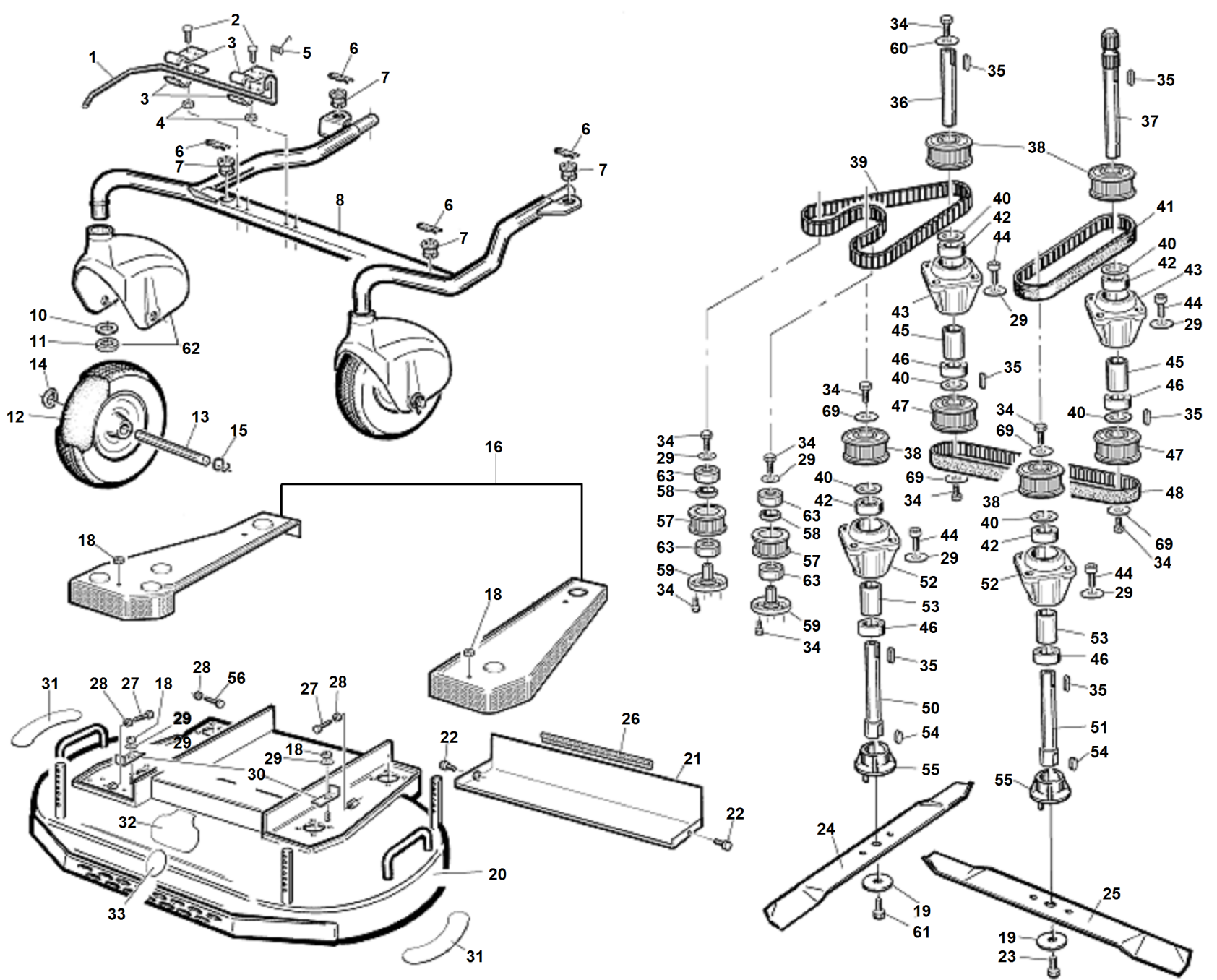


#	P/N	DESCRIPTION	TOP GREEN
1	95504000021	COVER FORK	
2	00111000057	SNAP RING D.20 E	
3	00111500011	WASHER 20X30X2	
4	00111990017	BUSHING WITH EDGE TFF 20/16,5	
5	95504301000	WHEEL TROLLEY RIGHT FORK	
6	PV95555111000	COMPL. TOP PROFESSIONAL TROLLEY	
7	95504401000	WHEEL TROLLEY LEFT FORK	
8	00111500008	WASHER 21X37X2	
9	00111930004	INNER TUBE 300X4 TR13	
10	00111940007	PNEUMATIC 300-4PR	
11	95504200000	NO PROFILE WHEEL 3.00-4	
12	95532220001	PULLEY HTD 30-8M	
13	95532210001	PULLEY HTD 26-8M	
14	95532170001	PULLEY HTD 26-8M	
15	00777100036	KOYO BEARING 6203 2RS	
16	95555110000	PROFESSIONAL TROLLEY	



#**P/N****DESCRIPTION****TOP GREEN****REF. 9-2- 0055991028**

1	95532220001	PULLEY HTD 30-8M		
2	95532210001	PULLEY HTD 26-8M		
3	95532170001	PULLEY HTD 26-8M		
4	00777100036	KOYO BEARING 6203 2RS		



MULCHING PROFESSIONAL  TAV. 09/1
 MULCHING SEMI-PROFESSIONAL  TAV. 09/2

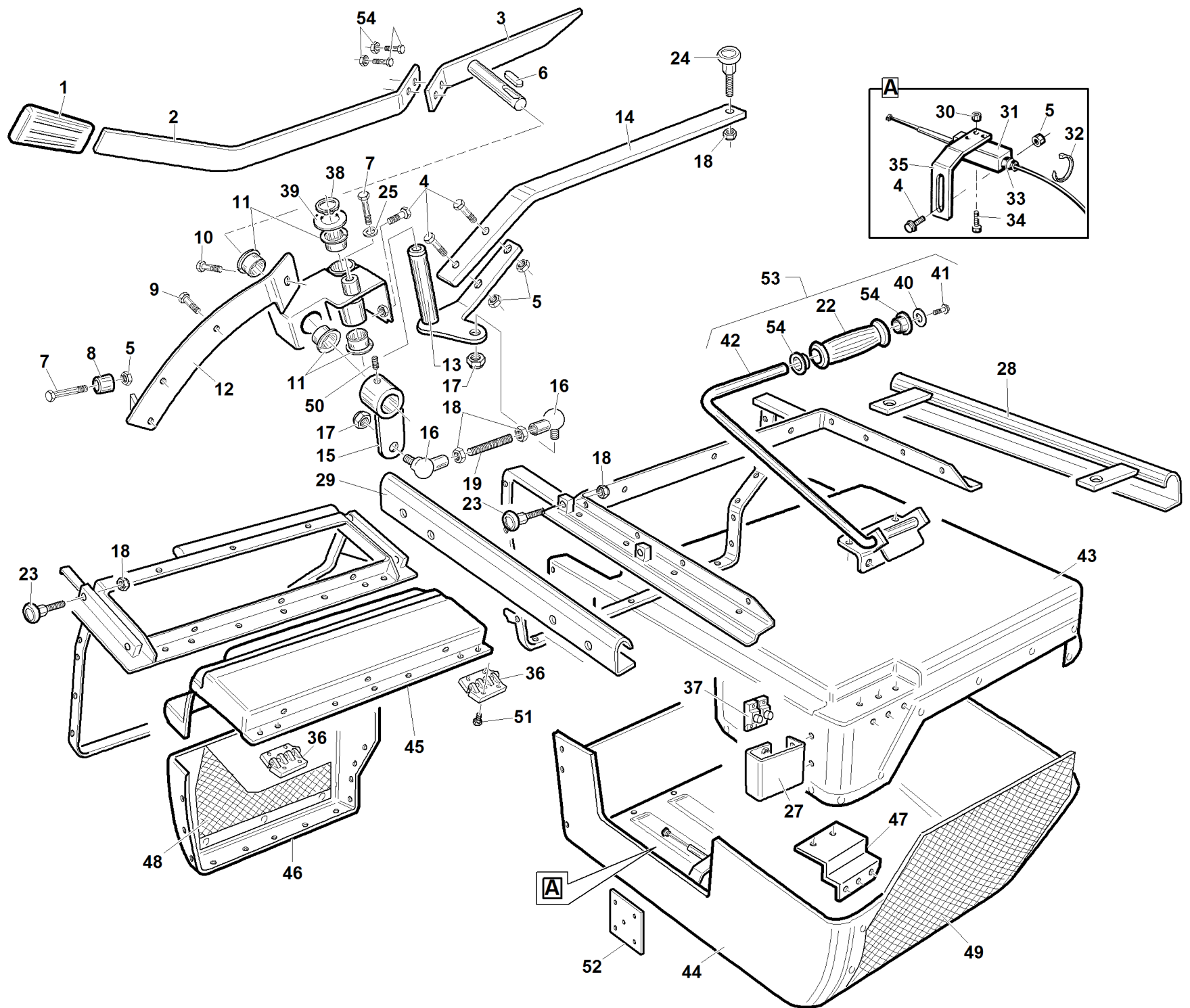
#	P/N	DESCRIPTION	TOP GREEN	REF. 10 - 00555991021
1	PZ95504000018	DECK HOOK		
2	00111300011	SCREW TE M6X20		
3	PZ95504000015	HINGE TROLLEY ZINC.		
4	00111000166	SELF LOCKING NUT M6 UNI 7473		
5	95504000019	SPRING TROLLEY ATTACHM.		
6	00111000175	""R"" SPLIT PIN D.4 UNI 8833"		
7	90106000007	TROLLEY BUSHING		
8	PV95532111000	TOP GREEN TROLLEY		
10	PZ95532110003	WASHER 31X42X2,5 ZNT		
11	00111650020	SNAP RING TYPE ZA D.30		
12	95532111200	WHEEL COMPLETE D.210		
13	95532110002	SHAFT WHEEL		
14	00111000057	SNAP RING D.20 E		
15	95532110004	SPRING LEVER SHAFT WHEEL		
16	95599570000	BELT COVER KIT		
18	00111000071	SELF LOCKING NUT M8 UNI 7473		
19	95504000010	SPRING WASHER 10,5X50X2,5		
20	PV95535100000	TG MULCHING DECK FRAME		
21	PV95535110000	BELT COVER		
22	00111450005	SCREW/W M6X16		
23	95504000020	BLADE FIXING SCREW		
24	95531000001	RIGHT MULCHING BLADE 4X50X488		
25	95531000002	LEFT MULCHING BLADE 4X50X488		
26	95532000027	WASHER L=260		
27	00111300021	HEXAGON SCREW M8X45 UNI 5739		
28	00111500003	WASHER 12X36X3		
29	00111000061	WASHER 8.4X24X2		
30	PZ95532100003	REGULATOR BELT PLATE		
31	00555000028	TRANSFER PRINTING		
32	95504000016	TRANSFER PRINTING		
33	00555000029	MOWER DECK WARNING DECAL		
34	00111000081	HEXAGON SCREW M8x16 UNI 5739		
35	00111000174	TONGUE A 6X6X30		
36	95535000002	MULCHING TRANSMISSION SHAFT		
37	95535000004	MULCHING CARDAN SHAFT		
38	95532220001	PULLEY HTD 30-8M		
39	00111980003	BELT 1440 RPP8-020		
40	95500000059	SPACER 20.5X35X3		
41	00111980002	BELT PIRELLI 840		
42	00777100023	KOYO BEARING 6004 2RS 20X42X12		
43	95535000001	TRANSMISSION BELT SHAFT SUPPORT		
44	00111400022	ALLEN SCREW		
45	95535000003	SPACER 20,2X26X13		
46	00777100020	KOYO BEARING 6204 2RS		
47	95532210001	PULLEY HTD 26-8M		
48	00111980013	BELT 960 RPP8-20-PIRELLI		
50	95532000023	BLADE SUPPORT SHAFT		
51	95532000004	BLADE SUPPORT SHAFT		
52	95532000002	BLADES SHAFT SUPPORT		
53	95532000016	SPACER 20,2X26 L=31,5		
54	00111900006	TONGUE A 6X6X18		
55	95504000011	BLADE SUPPORT		
56	00111300015	SCREW TE M8X55		
57	95532170001	PULLEY HTD 26-8M		
58	95532000026	SPACER 17,2X24X4.5		
59	PZ95532120000	SHAFT		
60	00111000132	WASHER P. 8,4X32X2,5 ZNT		
61	95532000024	BLADE FIXING SCREW LEFT		
62	95599100000	TROLLEY FORK		

#**P/N****DESCRIPTION****TOP GREEN****REF. 10 - 0055991021**

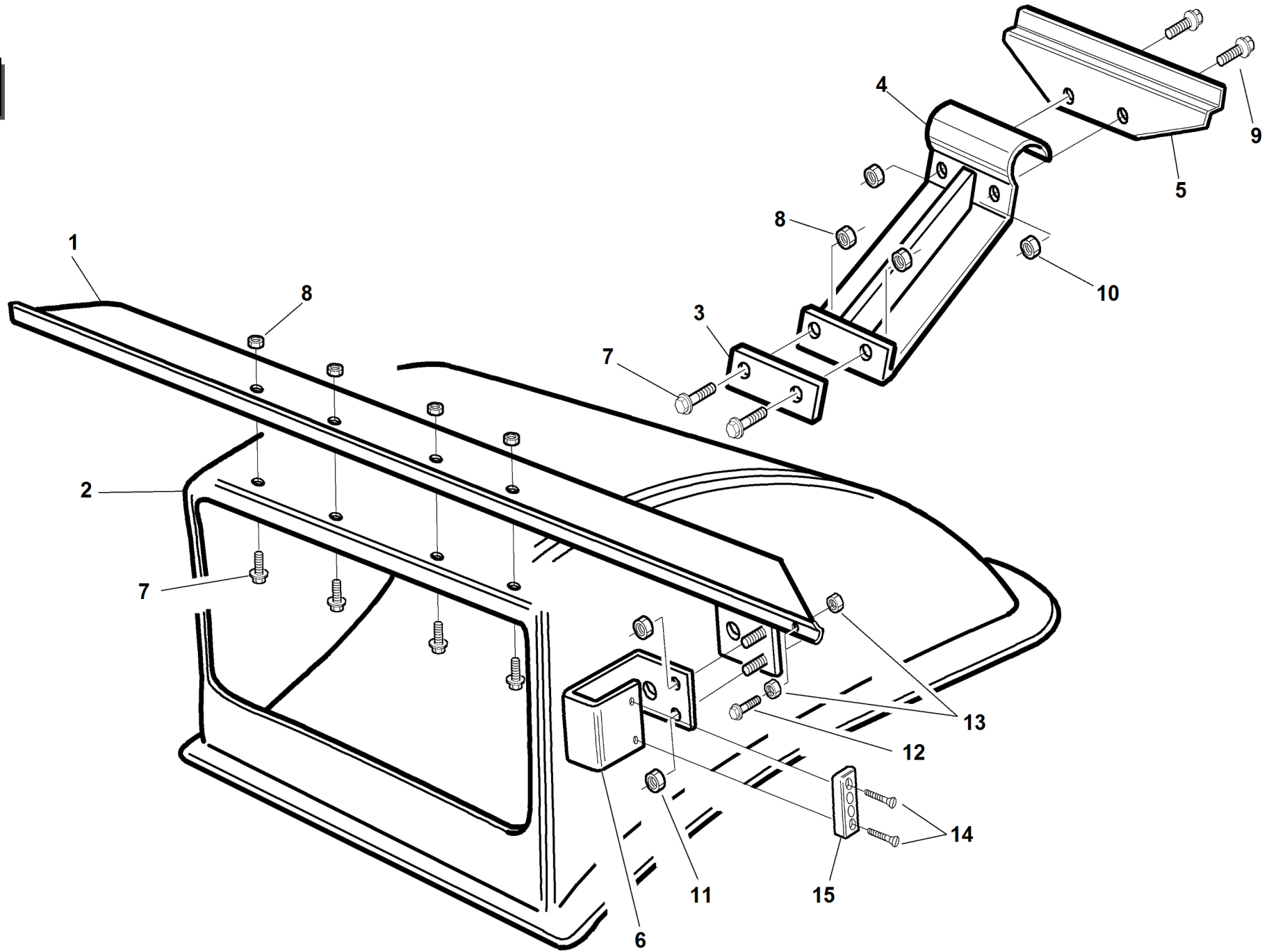
63

00777100036

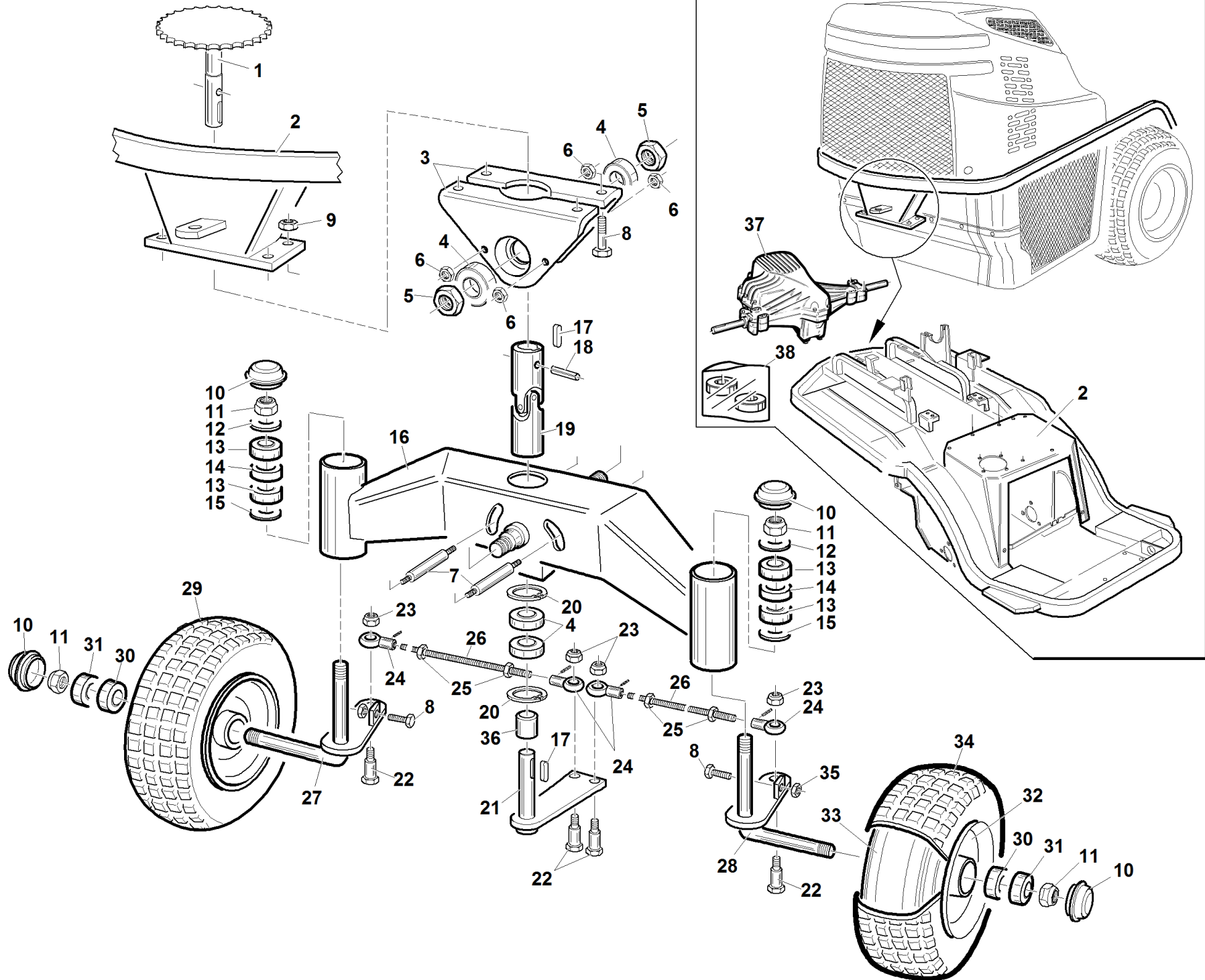
KOYO BEARING 6203 2RS



#	P/N	DESCRIPTION	TOP GREEN
1	00111970013	FLAT GRIP 1010 30X6	
2	PZ95550000005	OPEN HOPPER LEVER	
3	PZ95550170000	LEVER SHAFT OPEN COLLECTOR	
4	00111450003	SCREW WASHER M8X20	
5	00111000071	SELF BLO. NUT M8	
6	00111900001	TONGUE A 6X6X25	
7	00111000145	SCREW TE M8 X 35	
8	95550000006	NEEDLE	
9	00111370001	SCREW TC 4.2X16	
10	00111300021	SCREW TE M8X45	
11	00111990017	BUSHING WITH EDGE TFF 20/16,5	
12	PV95550150000	ENGINE TRANSMISSION GEAR BOX	
13	PZ95550120000	SHAFT OUTLET TRANSMISSION	
14	PZ95550000007	BEARING LEVER	
15	95550110000	COMPLETE TRANSMISSION LEVER	
16	00777200014	ROUND JOINT M10	
17	00111250004	SELF BL. NUT M10	
18	00111150002	NUT M10 6S ZNT	
19	95550000012	M10 BAR	
22	00111970080	REVOLVING HANDGRIP	
23	95550220000	PIN BEARING SUPPORT	
24	95550230000	PIN BEARING SUPPORT	
25	00111000087	WASHER P.8,4X15.6X1,5	
27	PZ95550160000	HOPPER CONTACT SUPPORT	
28	PZ95550100000	REAR TROLLEY WAY	
29	PZ95550000001	TROLLEY WAY	
30	00111250006	SELF BL. NUT M4	
31	00777800038	LIMIT SWITCH FK320	
32	00111810017	CLAMP 5-16	
33	00777800037	CABLE HOLDER	
34	00111300024	SCREW TE M4X35	
35	PZ95501100004	SUPPORT STOP	
36	00111970076	PLASTIC HINGE M6 WITH NUT	
37	00777800102	OMEC FEMALE CONTACT	
38	00111000057	SNAP RING D.20 E	
39	00111000132	WASHER P. 8,4X32X2,5 ZNT	
40	00111630001	CAPP 14	
41	00777230010	OR RING 0/125	
42	PV95550180000	OPEN HOPPER LEVER	
47	95550210001	FAST COLLECTOR SUPPORT	
48	PV95550000004	RIGHT COLLECTOR GRID	
49	PV95550000013	LEFT COLLECTOR GRID	
50	00111960001	GRUB M8X10 NO POINT	
51	00111400012	ALLEN SCREW M6X15	
52	95501000004	COLLECTOR REINFORCEMENT	
53	95550250000	OPEN HOPPER LEVER	
55	95599640000	COMPLETE HOPPER	

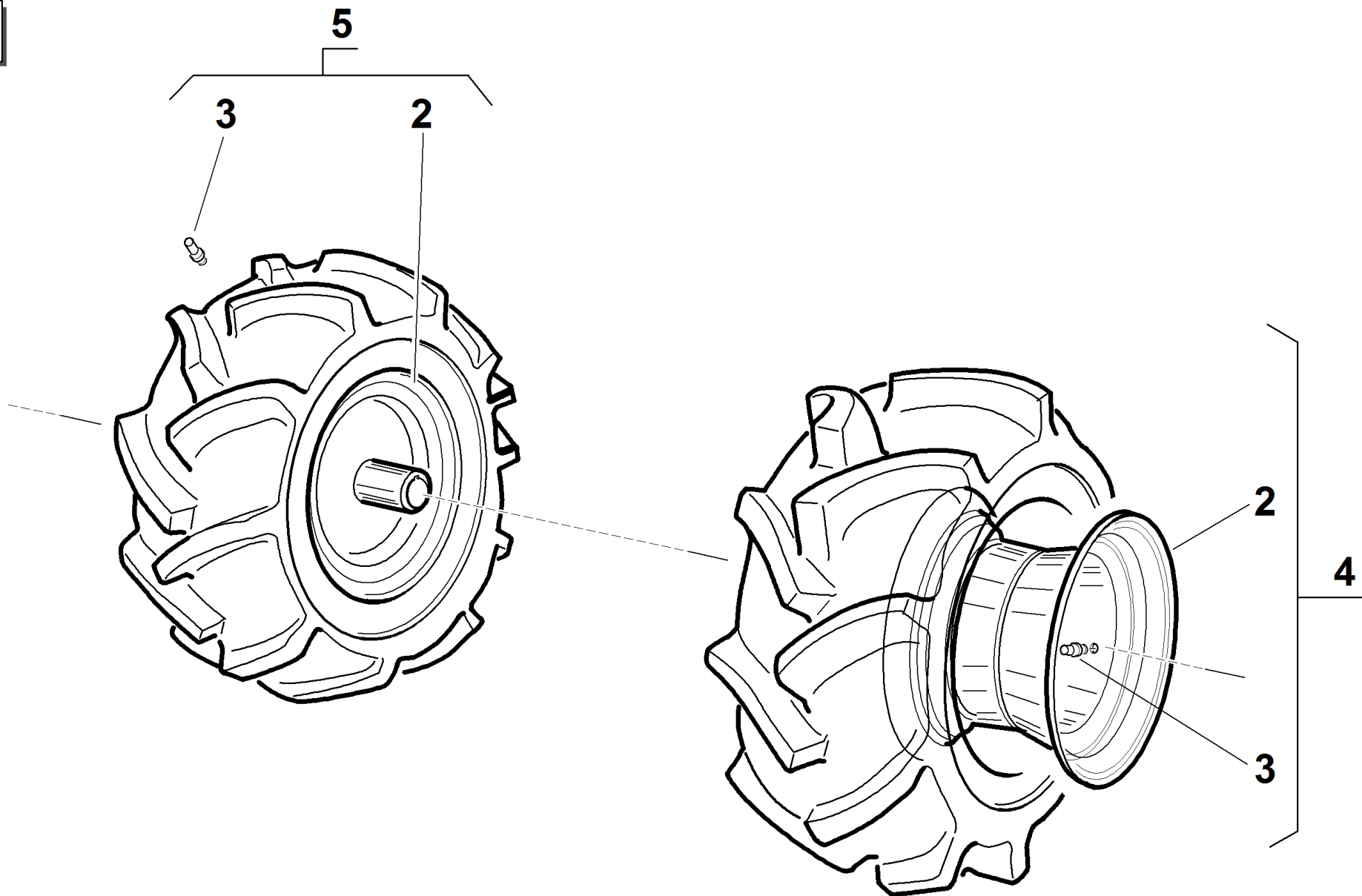


#	P/N	DESCRIPTION	TOP GREEN
1	PZ95557110000	COMPLETE FRONT SUPPORT CONV.	
2	95557000001	CONVEYOR FREE DISCHARGE	
3	PZ95557000003	REINFORCEMENT REAR SUPPORT	
4	PZ95557100000	COMPLETE REAR SUPPORT CONVEYOR	
5	PZ95557000002	FAST CONVEYOR SUPPORT	
6	PZ95550160000	HOPPER CONTACT SUPPORT	
7	00111450005	SCREW/W M6X16	
8	00111000035	SELF BLOC. NUT M6	
9	00111000059	FAKE SCREW/WASH. M8X14	
10	00111000095	SELF BLO. NUT M8	
11	00111000183	SELF BL. NUT M5	
12	00111300039	SCREW TE M6X30	
13	00111000155	NUT M6	
14	00111350019	SCREW TSPEI M4X14	
15	00777800102	OMEC FEMALE CONTACT	



#	P/N	DESCRIPTION	TOP GREEN
1	PZ95559100000	4 WHEELSTRANSMISSION SHAFT STEERING	
2	PV95559160000	4 WHEELS TOP FRAME	
3	PV95559140000	FORK AXLE FIXING	
4	00777100006	BEARING 6004 2RS 20X42X12	
5	00111000167	SELF BL. SCREW	
6	00111000071	SELF BLO. NUT M8	
7	95559000002	FIXING FORK PIN	
8	00111000103	SCREW TE M10X30	
9	00111000080	SELF BLO. SCREW M10	
10	00777270005	CAP D=47	
11	00111250011	SELF BL. NUT M14x1,5	
12	95097000002	SPACER 14,5X32X4	
13	00777100035	BEARING 6005 2RS 25X47X12	
14	95097000003	SPACER SHAFT WHEEL	
15	95097000006	SPACER 25,5X35X4	
16	PV95559150000	COMPLETE AXLE	
17	00111900001	TONGUE A 6X6X25	
18	00111700010	PIN EL SPIROL D.6X40	
19	00777200018	TOP 4 WHEELS STEERING JOINT	
20	00111650002	SNAP RING D.42 I	
21	PZ95559110000	4 WHEELS STEER. TRANSMISSION LEVER	
22	95559000004	SHAFT TYE-ROD STEERING	
23	00111250008	SELF BL. NUT M12	
24	00777200019	SPHEROX TF12 RIGHT	
25	00111150010	NUT 5589	
26	95559000003	THREADED BAR M12 L=200	
27	95559130000	LEFT WHEEL SHAFT	
28	95559120000	RIGHT WHEEL SHAFT	
29	95559190000	COMPLETE WHEEL 13x5.00-6	
30	00777100008	BEARING 6204 2RS 20x47x14	
31	00777100028	KOYO BEARING 6303 2RS	
32	95097161000	TYRE DISC 140-6 4T539	
33	00111930001	INNER TUBE 140-6 TR 87	
34	00111940014	TYRE 13X5.00-6	
35	00111150002	NUT M10 6S ZNT	
36	95559000001	SPACER 20.2X26 L=22	
37	00777600064	COMPACT AXLE	
38	95599150000	AXLE OIL SEALS KIT 750/800	

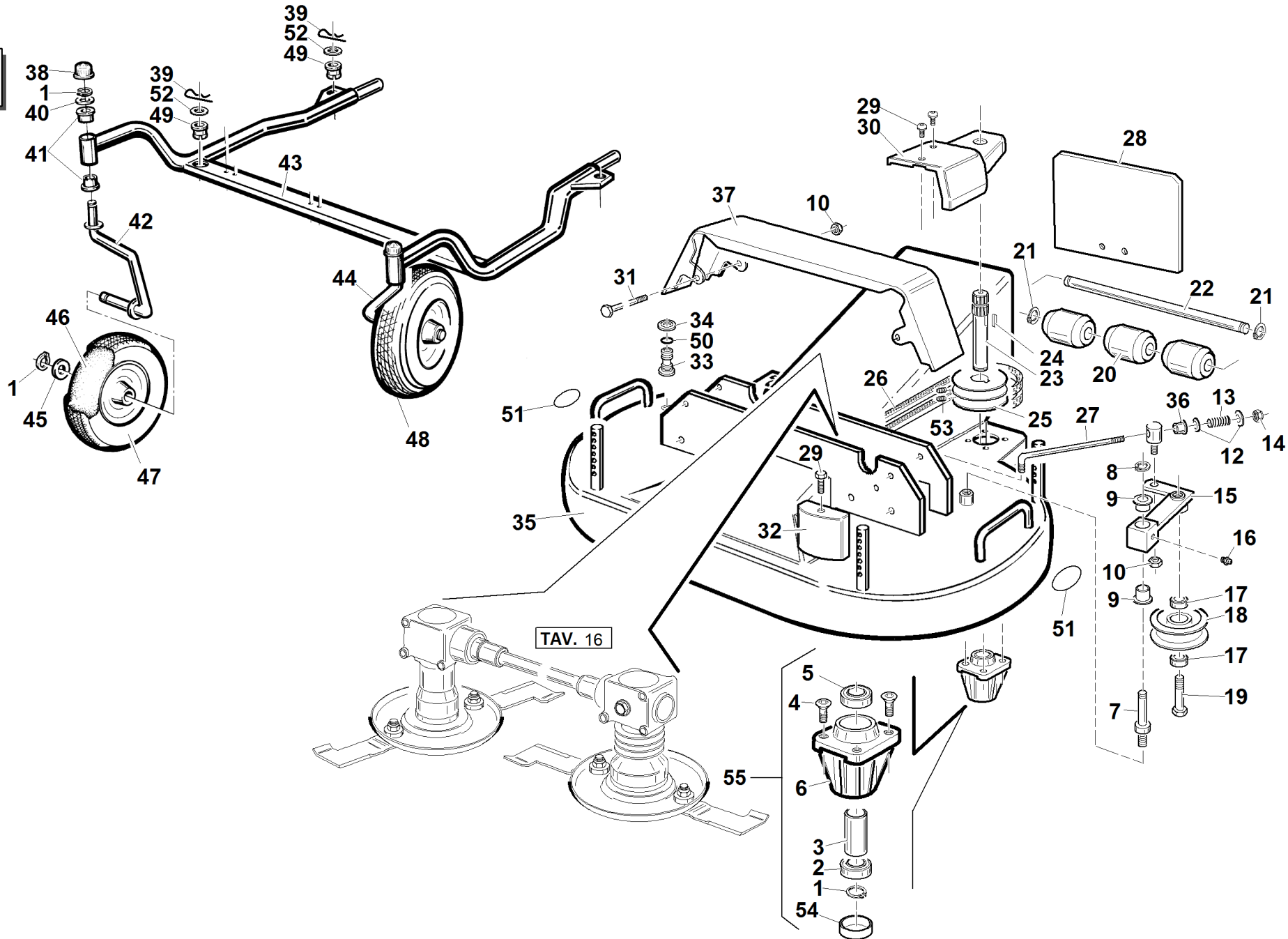
TOP GREEN



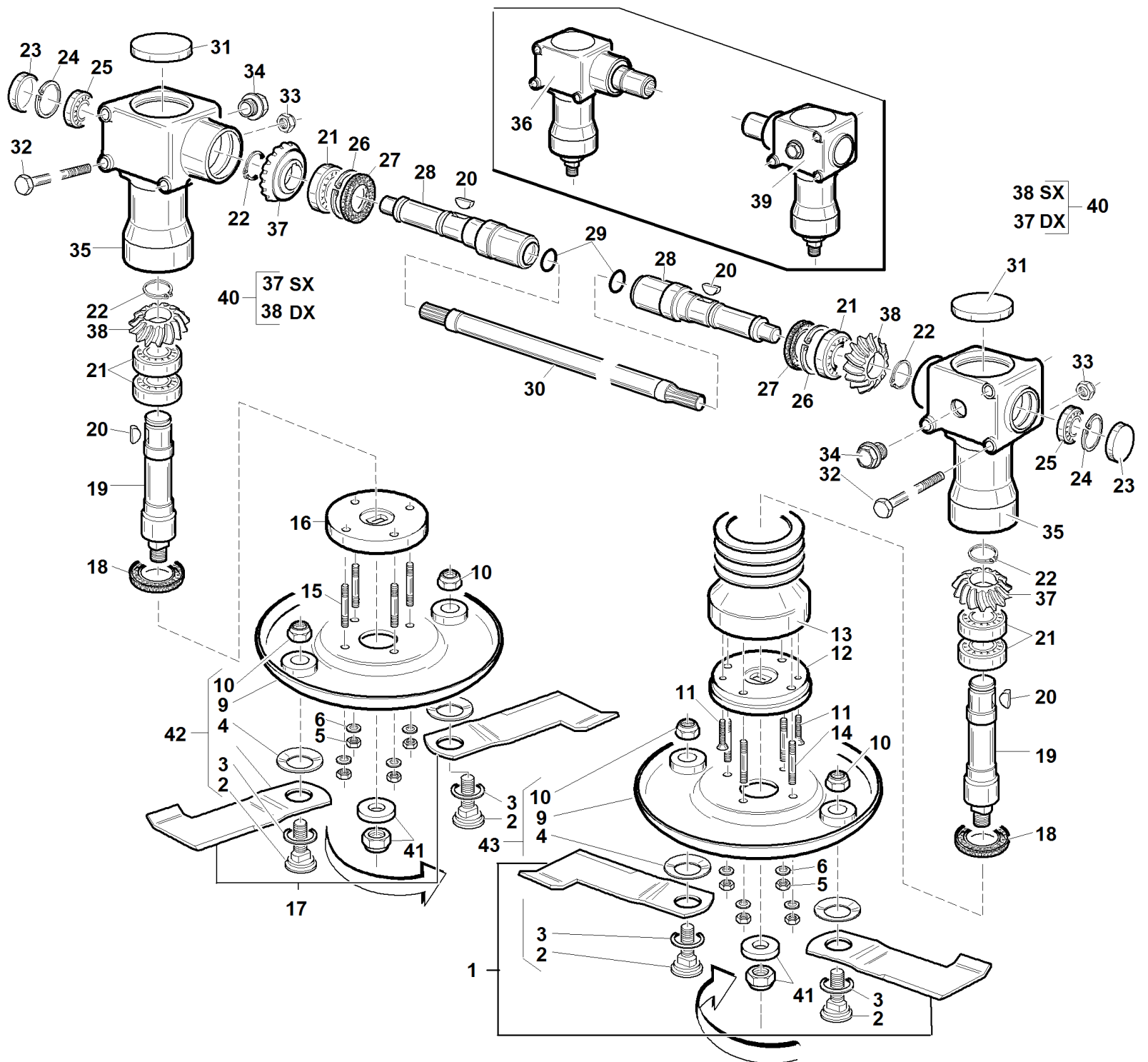
#**P/N****DESCRIPTION****TOP GREEN****REF. 14 - 0055991033**

2	95548100000	BRIDGESTONE DISC WHEEL 5.75"X8"	
3	00111930006	TUBELESS VALVE TR413	
4	95549000000	WHEEL 17-800X8	
5	95548000000	WHEEL 17-800X8 BRIDGESTON TM RH	

TOP NEW - B



#	P/N	DESCRIPTION	TOP NEW - B	REF. 15 - 00555991035
1	00111000057	SNAP RING D.20 E		
2	00777100020	KOYO BEARING 6204 2RS		
3	95532000019	SPACER 20,2X26 L=38		
4	00111350022	SCREW TSPEI M8X30 ZNT		
5	00777100006	BEARING 6004 2RS 20X42X12		
6	94502111201	TRANSMISSION BELT SHAFT SUPPORT		
7	95500150006	TIGHTENER STOP PIN		
8	00111650004	SNAP RING D.15 E		
9	95001000060	BRASS BUSHING		
10	00111250004	SELF BL. NUT M10		
12	00111000087	WASHER P.8,4X15.6X1,5		
13	95566110002	TIGHTENER REGULATOR SPRING		
14	00111000071	SELF BLO. NUT M8		
15	95566120000	TIGHTENER BELT LEVER		
16	00111000036	GREASER M6		
17	00777100005	KOYO BEARING 6202 2RS		
18	94014000008	TIGHTENER PULLEY		
19	95029000011	THREADED SHAFT M14X1,5		
20	00111970082	NO SCALPING WHEEL		
21	00111000119	SNAP RING D.12 E		
22	95566110003	REAR WHEEL SHAFT		
23	94014000004	CARDAN SHAFT		
24	00111900001	TONGUE A 6X6X25		
25	94014000003	CARDAN PULLEY		
26	95599520000	DAYSCO SPAX900 BELTS KIT		
27	95566110005	MOWER TIGHTENER STAFF		
28	95504000022	BLACK ABS STRAP		
29	00111450003	SCREW WASHER M8X20		
30	95566110004	MOWER REAR TIMING CASE		
31	00111300032	SCREW TE UNI 5737		
32	95566110006	MOWER FRONT TIMING CASE		
33	95566000004	CONNECTION		
34	00111170001	SELF METAL RING M17X1		
35	95566100000	TG MOWER DECK FRAME		
36	00111530002	SYNTHETIZE BUSHING 8X10 L=9.5		
37	95566110001	GEAR BOX COVER		
38	95504000021	COVER FORK		
39	00111000175	PIN "R" D.4		
40	00111500011	WASHER 20X30X2		
41	00111990017	BUSHING WITH EDGE TFF 20/16,5		
42	95504301000	WHEEL TROLLEY RIGHT FORK		
43	PV95555111000	COMPL. TOP PROFESSIONAL TROLLEY		
44	95504401000	WHEEL TROLLEY LEFT FORK		
45	00111500008	WASHER 21X37X2		
46	00111930004	INNER TUBE 300X4 TR13		
47	00111940007	PNEUMATIC 300-4PR		
48	95504200000	NO PROFILE WHEEL 3.00-4		
49	90106000007	TROLLEY BUSHING		
50	00777230005	OR RING 3043		
51	00555000029	TRANSFER PRINTING MOWER DECK		
52	00111000170	WASHER 17X30X3		
53	00111960002	GRUB M8X16		
54	00777270009	CLOSED CAP 47X8		
55	95599530000	BELT SHAFT SUPPORT KIT		



1	95532250000	COUPLE LEFT REENTERING BLADE L= 152		
2	94014000012	REENTERING BLADE FIXING SCREW		
3	00111500015	WASHER 20X28X1		
4	00111050005	SPRING WASHER 40X40X1		
5	00111000071	SELF BLO. NUT M8		
6	00111000087	WASHER P.8,4X15.6X1,5		
9	95006500000	BLADES DISC		
10	00111250008	SELF BL. NUT M12		
11	00111350023	SCREW TSPEI M6X20		
12	94014000013	LEFT PULLEY SUPPORT		
13	94014000006	MOWER BELT PULLEY		
14	00111320002	STUD BOLT M8X30		
15	00111320001	STUD BOLT M8X16		
16	94014000015	RIGHT PULLEY SUPPORT		
17	95532260000	COUPLE RIGHT REENTERING BLADE L=152		
18	00777250022	"VITON" SEAL WASHER 38X52X7		
19	00777305501	CUTTER BLOCK SHAFT		
20	00777305203	SPECIAL TONGUE		
21	00777100017	KOYO BEARING 6205		
22	00111650013	SNAP RING D.20X1,5 E		
23	00777270007	CLOSED CAP 42X7		
24	00111650002	SNAP RING D.42 I		
25	00777100041	KOYO BEARING 6302		
26	00111650009	SNAP RING D.52 I		
27	00777250017	SEAL WASHER 35X52X7		
28	00777305504	KEYED SHAFT		
29	00777230006	OR RING 3081		
30	95566000001	SHAFT		
31	00777270001	CLOSED CAP 62X7		
32	00111300032	SCREW TE UNI 5737		
33	00111250004	SELF BL. NUT M10		
34	95599670000	PLUG 3/8		
35	00777305503	GEAR CASE 2 OUTPUT		
36	00777305600	RIGHT GEAR BOX 2 OUTPUT		
39	00777305500	LEFT GEAR BOX 2 OUTPUT		
40	00777306000	ELIC. BEVEL GEAR PAIR		
41	95599180000	NUT + SPACER		
42	95566111100	KNIFE RIGHT DISC		
43	95566111000	KNIFE LEFT DISC		

www.gianniferrari.com

Advanced Groundcare Solutions™

**COMPANY WITH QUALITY
MANAGEMENT SYSTEM CERTIFIED BY DNV
= UNI EN ISO 9001:2008 =**



**Gianni
Ferrari**

GIANNI FERRARI S.r.l.

Via Vespucci ,53 (z.ind. Ranaro)
42046 Reggiolo (Reggio Emilia) Italy
Tel. +39.0522.973697 - Fax +39.0522.973707
e-mail: info@gianniferrari.com



OFFICINE BIEFFEBI S.p.A.

Via dell'Artigianato ,7
46023 Gonzaga (Mantova) Italy
Tel. +39.0376.52641 - Fax +39.0376.588270
e-mail: bieffebi@gianniferrari.com